

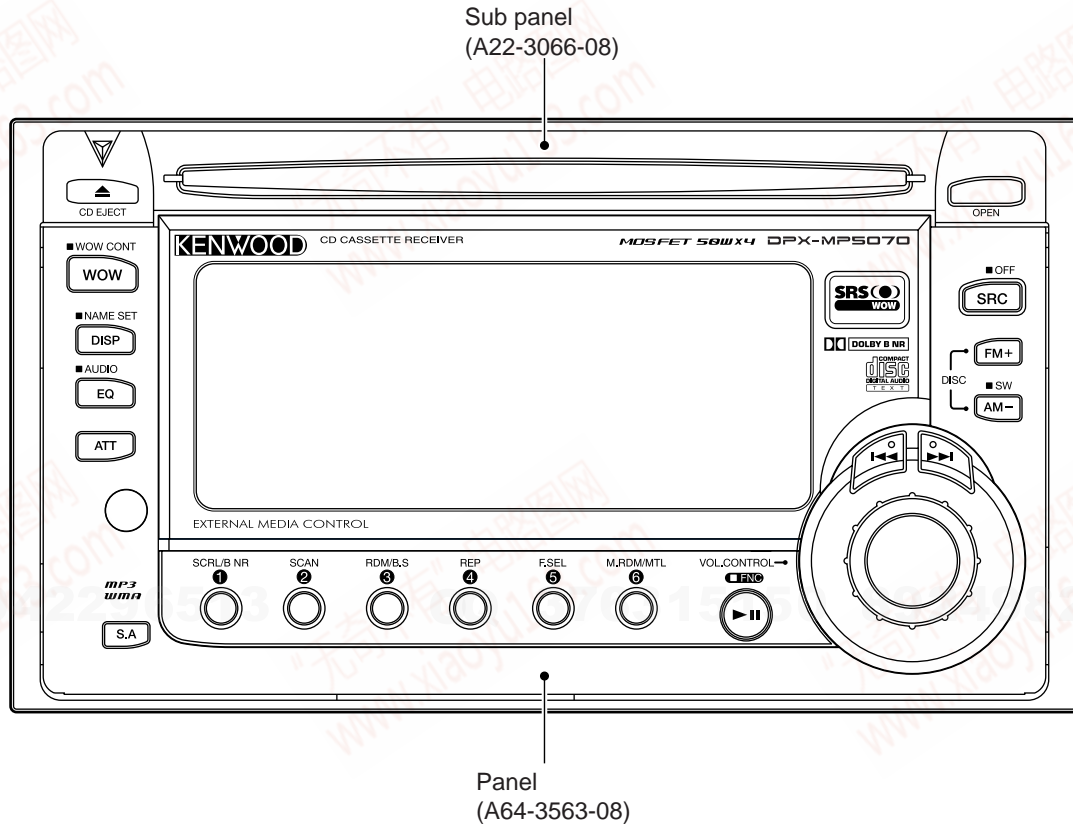
CD CASSETTE RECEIVER

# DPX-MP5070

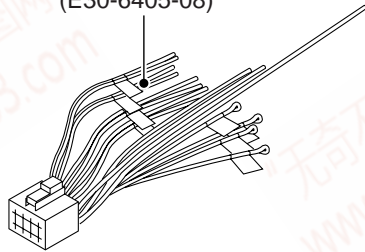
## SERVICE MANUAL

# KENWOOD

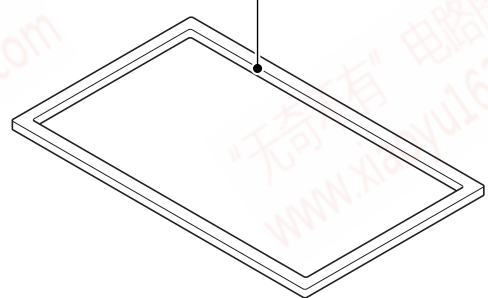
© 2004-7 PRINTED IN JAPAN  
B53-0187-00 (N) 378



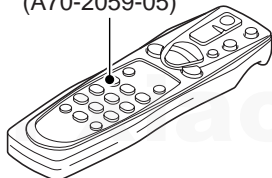
DC cord assy  
(E30-6405-08)



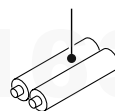
Escutcheon assy  
(B07-3121-08)



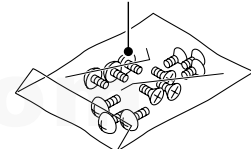
Remote controller assy (RC-505)  
(A70-2059-05)



Size AA battery  
(Not supplied)

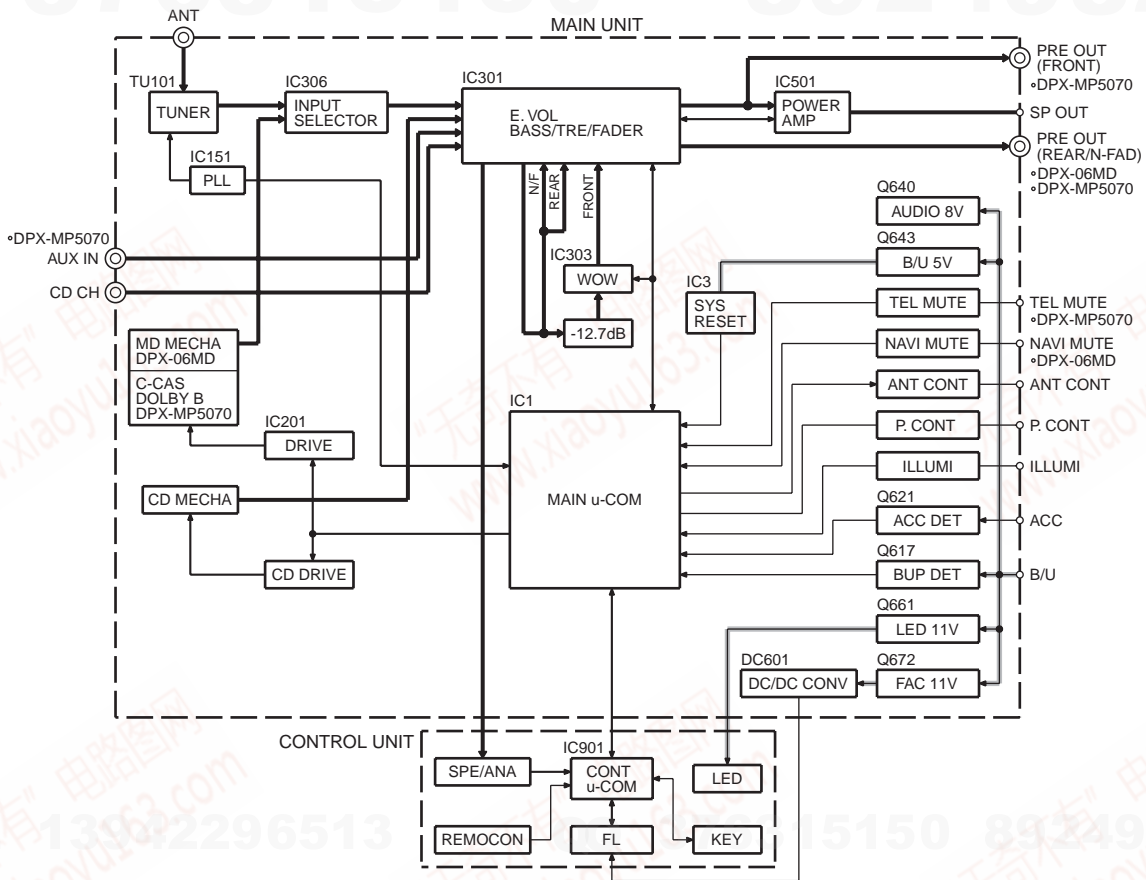


Screw set  
(N99-1724-05)



# DPX-MP5070

## BLOCK DIAGRAM



## COMPONENTS DESCRIPTION

### ● MAIN PWB UNIT

Ref. No.	Application / Function	Operation / Condition
IC1	MAIN $\mu$ -COM	Main microcomputer
IC2	MUTE	
IC3	RST	
IC4	SECURITY ROM	
IC5	ROM COL	
IC151	PLL	TUNER PLL
IC201	CAS MO DRV	Cassette motor DRV
IC250	CAS EQ	Cassette audio EQ
IC301	E-VOL	Electronic volume
IC303	WOW	WOW
IC304	WOW FOCUS	
IC306	AUDIO SEL	Cassette, MD and TUNER audio switching
IC501	PWIC	Output amplifier
Q1	RST SW	
Q101	FM_VCC SW	
Q102	MONO SW	
Q151	FM/AM_V <sub>t</sub> DRV	
Q304	EVOL MUTE SW	
Q321	MUTE_SPEANA SW	
Q322	SPEANA LEVEL AMP	
Q323	WOW-FOCUS SW	
Q551-554	PRE MUTE DRV	Pre-out mute SW
Q555,556	PRE MUTE SW	
Q610	P_CON SW (P-ANT SW)	
Q611	P-ANT SW	
Q612	BMS-CONT DRV	
Q613	ILL-DET SW	
Q614	BU-DET SW	
Q615	PWIC STBY SW	
Q616	P_CON SW (P-ANT SW)	
Q617	BU-DET SW	
Q618,619	P_CON SW (P-ANT SW)	
Q620	P-ANT SW	
Q621	ACC-DET SW	
Q640	A8V AVR	Audio 8V power supply
Q641,642	S7.5V AVR	CD, MD mechanism 7.5V power supply

Ref. No.	Application / Function	Operation / Condition
Q643	BU5V AVR	
Q644	MOTOR+B SW	Cassette motor power supply (Main motor)
Q645	MOTOR_MO+ SW	Cassette motor power supply (Sub-motor)
Q646	PON SW	
Q647	A8V AVR	Audio 8V power supply
Q648	S7.5V AVR	CD, MD mechanism 7.5V power supply
Q649	BU5V AVR	
Q650	D5V AVR	CD, MD mechanism 5V power supply
Q651	SW5V DRV	
Q652	PON SW	
Q653	SW5V SW	
Q654	D5V AVR	CD, MD mechanism 5V power supply
Q655	MOTOR+B SW	Cassette motor power supply (Main motor)
Q656	MOTOR_MO+ SW	Cassette motor power supply (Sub-motor)
Q660	PON-ILL SW	
Q661,662	LED11V AVR	LED 11V power supply
Q670	PON_FL+B SW	
Q671,672	FAC11V AVR	FAC 11V power supply

### ● COMBI PWB UNIT

Ref. No.	Application / Function	Operation / Condition
IC901	LCD DRV	LCD driver
IC902	SPEANA	
IC904	REMO	Remote controller light receptor
Q901	BK	
Q902,903	FL_VDD1 SW	
Q904	LED_BLUE SW	
Q905,906	FL_VDD2 SW	
Q907,908	PANEL_SW5V	
Q909	LED_BLUE SW	
Q951	LED_RED SW	

# DPX-MP5070

## MICROCOMPUTER'S TERMINAL DESCRIPTION

### ● SYSTEM MICROCOMPUTER : MN101C49HNH (MAIN PWB UNIT : IC1)

Pin No.	Pin Name	I/O	Function	Truth Value Table	Processing Operation Description
1	VREF-	-	Reference power supply (-)		
2	REEL_S	I	Cassette mechanism reel rotation detection		
3	REEL_T	I	Cassette mechanism reel rotation detection		
4	DC_ERR	I	Power IC offset voltage monitoring		
5	LINE_MUTE	I	Line mute detection		
6	ACC_DET	I	ACC power supply detection		H : ACC OFF
7	ILLUMI_DET	I	Dimmer illumination detection		L : ILLUMI ON
8,9	NC	I			
10	VREF+	-	Reference power supply (+)		
11	VDD	-	Microcomputer power supply terminal		
12	OSC2	-	Main clock output		
13	OSC1	-	Main clock input		
14	VSS	-	Microcomputer GND terminal		
15	XI	-	Sub-clock input		
16	XO	-	Sub-clock output		
17	MMOD	-	Memory mode setting		
18	LX_DATA_M	O	Data to slave unit		
19	LX_DATA_S	I	Data from slave unit		
20	LX_CLK	I/O	LX BUS clock		
21	SYS_DATA	O	Between-panel communication output		
22	PN_DATA	I	Between-panel communication input		
23	PN_CLK	O	Between-panel communication clock		
24	PWIC_BEEP	O	Beep output		
25	NC	O			
26	BU_DET	I	Detection of momentary power down		L : Normal, H : Momentary power down
27	LX_REQ_S	I	Communication request from slave unit		
28	PANEL_SW	I	Panel detection		L : Close, H : Open
29	PN_REQ	I	Between-panel communication control		L : Panel-side data in transmission
30,31	NC	I			
32	VDD2	-	Microcomputer power supply		Microcomputer power supply
33	NRST	I	Microcomputer reset terminal		L : Reset
34~36	NC	O			
37~39	MODE1~MODE3	I	Cassette mechanism status detection SW1~SW3		
40	NC	O			
41	VPP	-	Power supply terminal for writing to flash memory		
42	SYS_REQ	O	Between-panel communication control (FLASH BUSY)		H : Panel-side data in reception
43	PN_SCCON	O	Between-panel communication control (FLASH CE)		L : Communication start request
44	NC	O			
45	SDA/CD_SDA	I/O	CD mechanism I2C data input/output terminal		
	SDA/E2PROM_SDA	I/O	E2PROM write terminal		

## MICROCOMPUTER'S TERMINAL DESCRIPTION

Pin No.	Pin Name	I/O	Function	Truth Value Table	Processing Operation Description
45	SDA/COR_SDA	I/O	ROM correction E2P control		
	SDA/AUD_SDA	I/O	I2C BUS		
46	NC	O			
47	SCL/CD_SCL	I/O	CD mechanism I2C clock output terminal		
	SCL/E2PROM_SCL	I/O	E2PROM write terminal		
	SCL/COR_SCL	I/O	ROM correction E2P control		
	SCL/AUD_SCL	I/O	I2C BUS		
48	ROMCOL WR	I	ROM correction E2P write setting mode		H : Normal, L : Write mode
49	LED_SI	O	SI LED control		
50	NC	O			
51	TUN_TYPE1	I	Destination setting 2	④	
52	TUN_TYPE0	I	Destination setting 1	④	
53	SUB_M+	O	Cassette mechanism SUB motor control		
54	SUB_M-	O	Cassette mechanism SUB motor control		
55	MS_IN	I	Between-music detection signal input		L : Music found
56	DOLBY	O	DOLBY NR		H : DOLBY NR ON
57	C_MUTE	O	Equalizer mute		H : MUTE ON
58	METAL	O	Play equalizer switching		L : METAL ON
59	C_F/R	O	Head input switching		L : FOR, H : REV
60	MS_MODE	O	Detection sensitivity switching		L : G1, H : G2
61	TUN_CE	O	Tuner PLL data setting CS		
62	TUN_DI	I	Tuner PLL data setting D_IN		
63	TUN_DO	O	Tuner PLL data setting D_OUT		
64	TUN_CLK	O	Tuner PLL data setting CLK		
65	SD/ST-IND	I	F/E SD/ST terminal		In seek operation H : Station found In reception H : MONO, L : ST
66	CD_DISC12_SW	I	CD disc detection terminal (12cm)		
67	CD_LOS_SW	I	CD loading detection terminal		
68	CD_MUTE_R	I	CD MUTE (Rch) request terminal		L : Rch mute request
69	CD_MUTE_L	I	CD MUTE (Lch) request terminal		L : Lch mute request
70	MRST/CD_MRST	O	CD mechanism microcomputer RST terminal		H : Normal, L : Reset
71	CD_MSTOP	O	CD mechanism microcomputer stop terminal		H : Mechanism microcomputer in operation L : Mechanism microcomputer stop
72	CD_DISC8_SW	I	CD disc detection terminal (8cm)		
73	CD_LOE_LIM_SW	I	CD detection terminal (chucking SW)		H : Loading complete, L : No disc
74	CD_LOEJ	I/O	CD motor control terminal	②	
75	CD_MOTOR	O	CD motor control terminal	②	
76	SW_MUTE	O	SW mute control		Low during muting Low during momentary power down
77	PWIC_SVR		Power IC SVR control		
78	PWIC_STBY	O	Power IC standby control		

# DPX-MP5070

## MICROCOMPUTER'S TERMINAL DESCRIPTION

Pin No.	Pin Name	I/O	Function	Truth Value Table	Processing Operation Description
79	PWIC_MUTE	O	Power IC mute control		Low during momentary power down
80~82	NC	O			
83	AUD_MUTE	O	Audio MUTE control terminal		H : MUTE ON, High during momentary power down
84	WOW_MODE3	O	WOW IC control terminal 3	①	
85	WOW_MODE2	O	WOW IC control terminal 2	①	
86	WOW_MODE1	O	WOW IC control terminal 1	①	
87	WOW_Focus	O	WOW IC control terminal 4	①	
88	SRC_SEL1	O	IC2-5 input source switching	⑤	
89	BSM_CTRL	O	BMS control		
90	PON_ILL	O	Key illumination control (FLASH EPM)		H : ON
91	MOTER+B	O	Cassette mechanism sub-motor control		
92	P_ANT	O	Power ANT control terminal (Note) P_CON should be High		H : ANT ON, L : ANT OFF
93	P_CON	O	External amplifier current control		H : ON
94	MUTE ACOUT	O	WOW mute control		L : MUTE ON
95	DAVSS	-	Microcomputer GND terminal		
96	PON	O	Power supply control		H : ON
97	SW 5V	O	SW5V control terminal		H : ON
98	LX_CON	O	Boot request to slave unit.		H : Slave unit ON, L : Slave unit OFF
99	LX_REQ_M	O	Communication request to slave unit		
100	DAVDD	-	Microcomputer power supply		Microcomputer power supply

### ● Truth Value Table

#### ① WOW MODE Switching Operation

MODE	WOW-MODE1	WOW-MODE2	WOW-MODE3	FOCUS
BYPASS	L	L	L	Don't care
TruBass	L	H	L	Don't care
3D-STEREO	L	L	H	Don't care
FOCUS LOW	H	L	L	L (Hi-z)
FOCUS HI	H	L	L	H
WOW LOW	H	H	H	L (Hi-z)
WOW HI	H	H	H	H

#### ② CD\_MOTOR, CD\_LOEJ

	CD_MOTOR	CD_LOEJ
Stop	L	Hi-z
Load	H	L
Eject	H	H
Brake	H	Hi-z
Prohibit	L	L

#### ④ TUN\_TAPE0, TUN\_TAPE1

	TUN_TAPE0	TUN_TAPE1
AFTER	L	L
OEM1	L	H
OEM2	H	L
OEM3	H	H

#### ⑤ AUDIO Switching Setting Table

	SEL 1 (88pin)
TU	L
TAPE/MD	H

Confirm that output DC is not cut.

## MICROCOMPUTER'S TERMINAL DESCRIPTION

E's Light Truth Value Table

	E's-SW	E's1	E's2
FLAT	Hi-Z	Hi-Z	Hi-Z
E's Light (fc) LOW	H	Hi-Z	Hi-Z
E's Light (fc) MID	H	L	Hi-Z
E's Light (fc) HIGH	H	Hi-Z	L

● KEY MATRIX Table

	KS0	KS1	KS2	KS3
KR0	2	SRC	CD_EJ	TAPE/MD
KR1	1	FM	WOW	
KR2	3	AM	DISP	
KR3	4	←	EQ	
KR4	5	→	ATT	POUSE
KR5	6		SA	

● PANEL MICROCOMPUTER : MN101C62DKA (Control Unit : IC901)

Pin No.	Pin Name	I/O	Function	Processing Operation Description
1	VSS3	-	Microcomputer GND terminal	
2~7	SPAN1~SPAN6	I	BPF level input	
8,9	NC	I/O		
10	Vref+	-	Reference power supply (+)	
11	VDD1	-	Microcomputer power supply terminal	
12	OSC2	-	Main clock output	
13	OSC1	-	Main clock input	
14	VSS1	-	Microcomputer GND terminal	
15	XI (NC)	-		
16	XO (NC)	-		
17	MMOD	-	Memory mode setting	
18	PNRST	I	Microcomputer resetting terminal	L : Panel microcomputer reset (Note Only for reset starting)
19	SW5V	O	FL logic power supply control	H : ON
20	PON_FL+B	O	DC/DC control terminal	H : FL+B ON
21	NC	O		
22	PN_DATA	O	Between panel communication output	
23	SYS_DATA	I	Between panel communication input	
24	PN_CLK	I	Between panel communication clock	
25	NC			
26	LED_PWM	O	LED PWM output	
27	GLAT	O	FL control data latch output	
28	GBK	O	FL control data blanking output	H : Light ON, L : Light OFF When time for Low is short, changes to darker direction.
29	PN_REQ	O	Between panel communication control	L : Panel-side data being transmitted
30	NC	O		
31	SYS_REQ	I	Between panel communication control (FLASH BUSY)	H : Panel-side data being received
32	PN_SCCON	I	Between panel communication control (FLASH CE)	L : Communication start request
33	REMO	I	Remote controller signal input	Pulse width is detected.

# DPX-MP5070

## MICROCOMPUTER'S TERMINAL DESCRIPTION

Pin No.	Pin Name	I/O	Function	Processing Operation Description
34,35	KR0,KR1	I	Key return input	
36	GSO1	O	FL control data output terminal 1	
37	NC	O		
38	GCLK1	O	FL control clock output terminal	
39~41	NC	O		
42~45	KR2~KR5	I	Key return input	
46~49	KS0~KS3	O	Key scan output	Output / HiZ switching
50	PALSE_A	I	Rotary encoder A-pulse input	
51	PALSE_B	I	Rotary encoder B-pulse input	
52	COR_SCL	I/O	ROM correction E2P control	
53	COR_SDA	I/O	ROM correction E2P control	
54	VSS2	-	Microcomputer GND terminal	
55	NC	O		
56	VDD2	-	Microcomputer power supply terminal	
57~69	NC	O		
70	ROMCOL_WR	O	ROM correction E2P writing setting mode	E2P writing mode : H, All others : L
71~80	NC	O		

## TEST MODE

### ● How to enter the test mode

- In order to enter the test mode, while pressing down [ATT] + [WOW] keys simultaneously, press [SRC] key.

### ● Test mode conditions

- The test mode starts up when STANDBY source is selected.
- The volume value is -10dB. (30 on the display)
- Beep prohibited.
- All lights displayed.
- WOW : OFF
- EQ : Natural
- SPEANA : PEAK HOLD

### ● Test Mode (Display)

- Since the display has many segments, it is possible to confirm on the bridges with other segments. (Only when the source is set to STANDBY)

[▶▶], [◀◀], [FM], [AM] keys are used to switch the display segments.

[▶▶], [◀◀] keys are used to switch the grids. (Forward and Reverse)

[FM], [AM] keys are used to switch the segments. (Forward and Reverse)

### ● Test mode

#### (Display of DC offset detection presence/absence)

- When in this mode, the mode for "Display of DC offset detection presence/absence" will be added in the MENU items at the time when Test Mode Standby is the source. This will make it possible to confirm results with presence-or-absence detection.

MENU selection : DIMMER adjustment → ... → (NAVI ATT ON/OFF) → (CODE STBY) → Display of DC offset detection presence/absence.

- Display

DC Offset detected : DC Err

DC Offset not detected : DC OK

- \* The detection information in the EEPROM can be forcibly cleared by pressing [◀◀] or [▶▶] key for more than two seconds while the DC Offset detection (DC Err) is being displayed. In this case, the display will be for DC Offset not detected. (DC OK).



## TEST MODE

### ● Test mode (Accumulated elapse time display)

- When in this mode, the mode for "Accumulated Elapse Time Display" will be added in the MENU items at the time when Test Mode Standby is the source. This will make it possible to confirm on the accumulated elapse time.

MENU selection : DIMMER adjustment → ... → (NAVI ATT ON/OFF) → (CODE STBY) → Display of DC offset detection presence/absence → Accumulated Elapse Time Display.

- \* By pressing [◀◀] or [▶▶] key for during Accumulated Elapse Time Display, the sources for the accumulation can be switched.

MD TYPE MODEL (Repeating sequence : MD accumulation time → CD accumulation time → MD accumulation time)

TAPE TYPE MODEL (Repeating sequence : TAPE accumulation time → CD accumulation time → TAPE accumulation time)

### ● Releasing the test mode

- The Test Mode is released by the following sequence : Reset, ACC OFF and ON, Power OFF and ON. Also, by ACC OFF and POWER OFF, the Source of Tuner and Audio will go into the initial conditions.

### ● Forced clearing of DC offset detection

- Regardless of the Test Mode, when power is turned on by [SRC] key while depressing the following keys. This will be the forced clearing of DC Err condition in the EEPROM. This will clear the data in the EEPROM even in the case where there is no error data.
- Key Operation  
Press the [SRC] key while pressing the [DISP] and [EQ] key at the same time.

### ● How to delete registered security codes

- After resetting and entering the test mode again, in the screen for entering the security code, continue depressing [#6] key, while depressing [#1] key. This will result in display of the character "C" on the right side of the code input screen.  
Then, using [1], [2], [3] and [4] keys of the remote controller, input "KCAR". The registered code will be deleted by confirming the input with [S.A] key.

## ADJUSTMENT

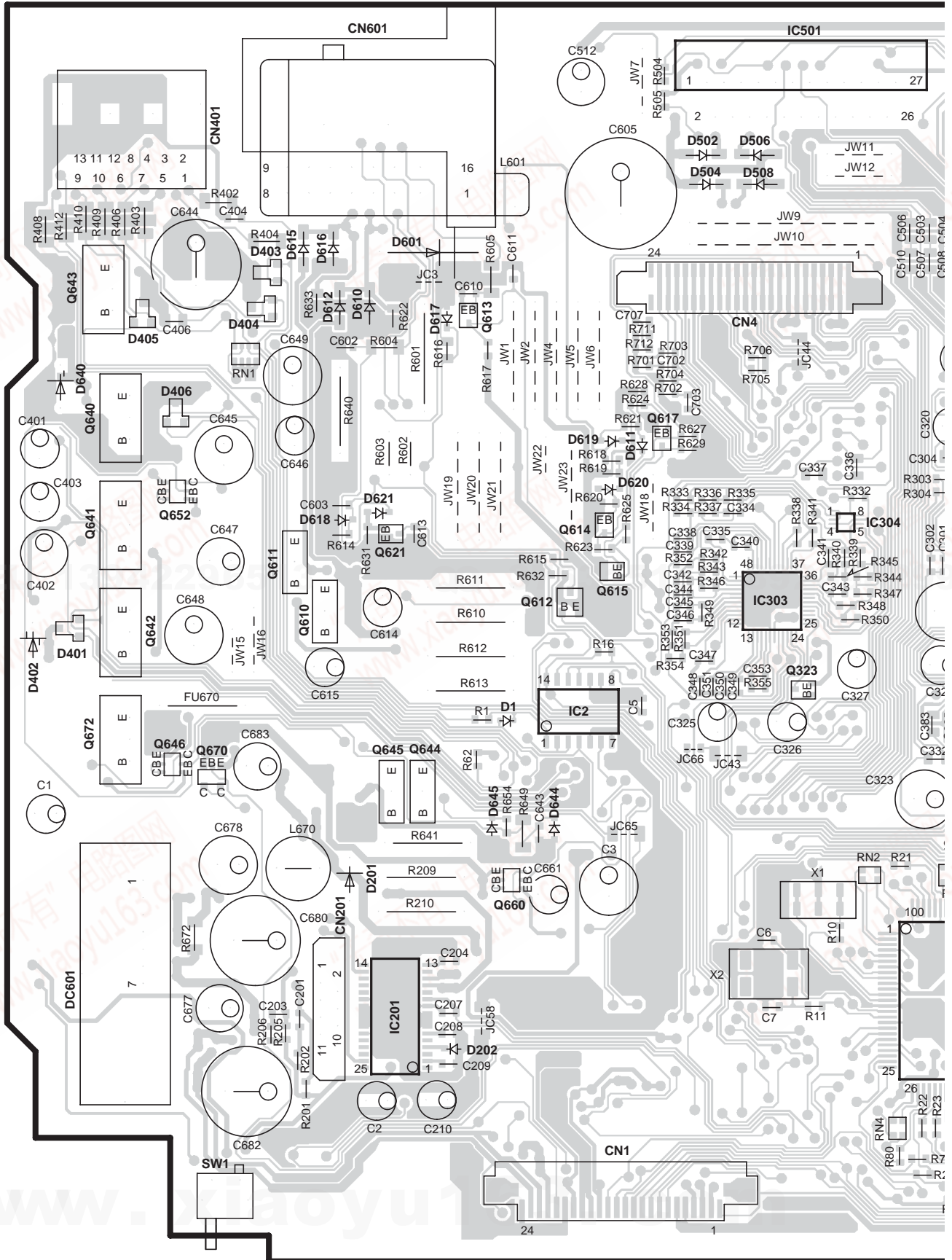
BALANCE/FADER/BASS/TREBLE : CENTER

METAL/DOLBY NR : OFF

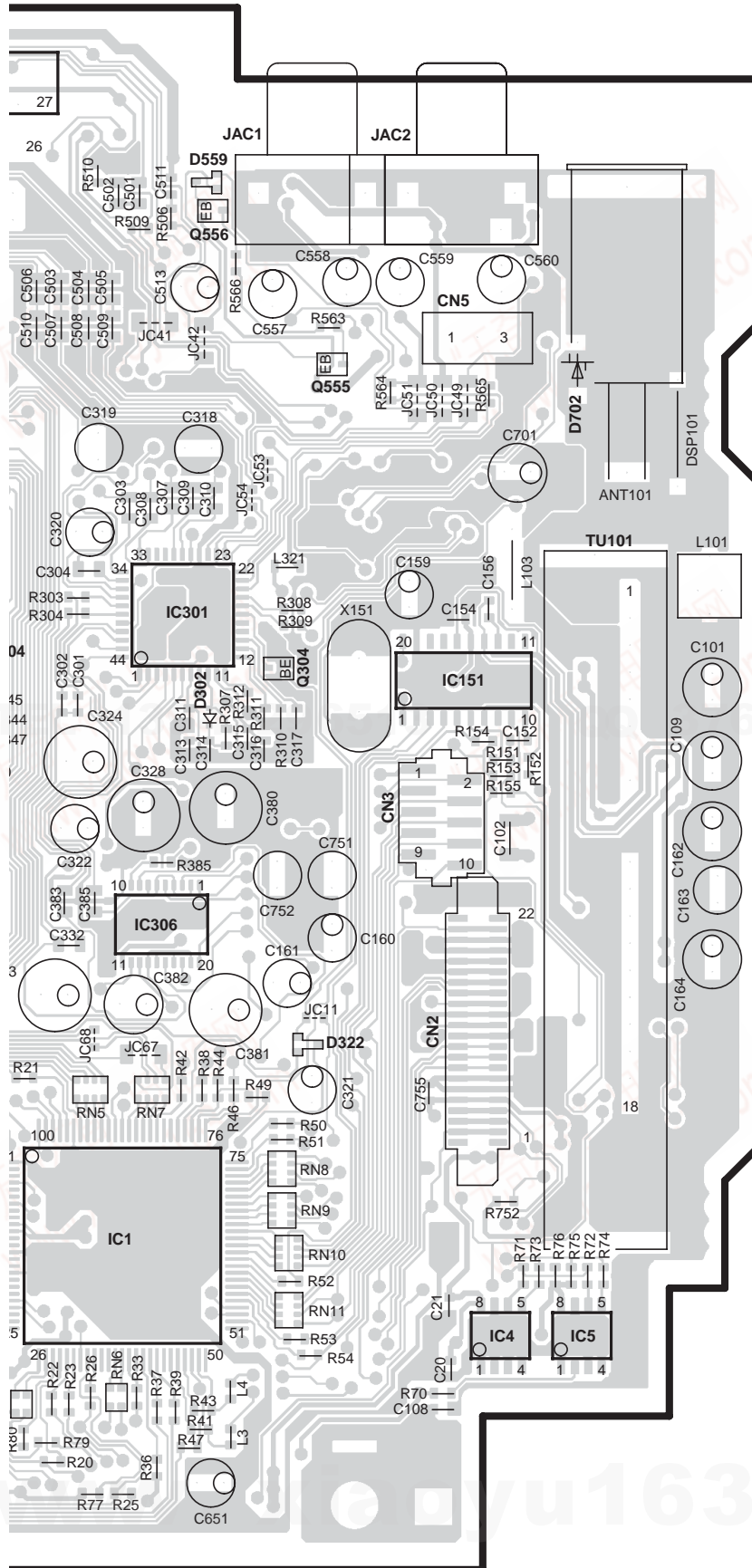
No.	ITEM	INPUT SETTINGS	OUTPUT SETTINGS	RECEIVER SETTINGS	ALIGNMENT POINTS	ALIGN FOR	FIG.
CASSETTE DECK SECTION							
1	DOLBY (PLAY BACK LEVEL)	TCC-130	(FOIL SIDE VIEW of MAIN UNIT) Connect an AC voltmeter between TA-L (Lch) and TA-G (GND), also between TA-R (Rch) and TA-G (GND).	TAPE PLAY	(EQUALIZER UNIT) VR250A (Lch) VR250B (Rch)	388mV	

# DPX-MP5070 PC BOARD (COMPONENT SIDE VIEW)

## MAIN PWB UNIT



QQ 376315150 892498299



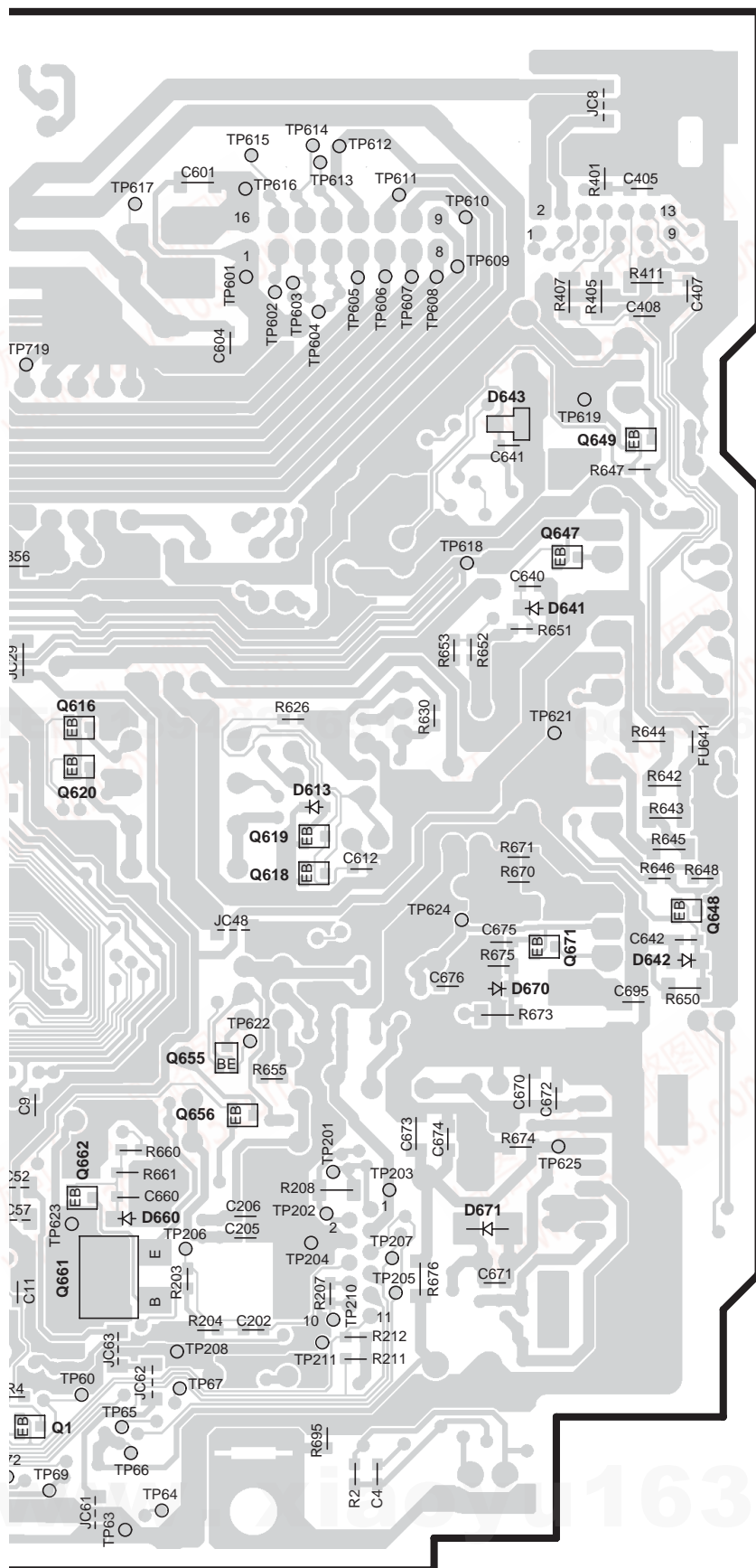
MAIN PWB UNIT

Ref. No.	Address
IC1	6F
IC2	5D
IC4	6G
IC151	4G
IC201	6C
IC301	4F
IC303	4E
IC304	4E
IC306	5F
IC501	1E
Q304	4G
Q323	4E
Q555	3G
Q556	2F
Q610	4C
Q611	4B
Q612	4D
Q613	3C
Q614	4D
Q615	4D
Q617	3D
Q621	4C
Q640	3B
Q641	4B
Q642	4B
Q643	3A
Q644	5C
Q645	5C
Q646	5B
Q652	4B
Q660	5C
Q670	5B
Q672	5B

Refer to the schematic diagram for the values of resistors and capacitors.



QQ 376315150 892498299

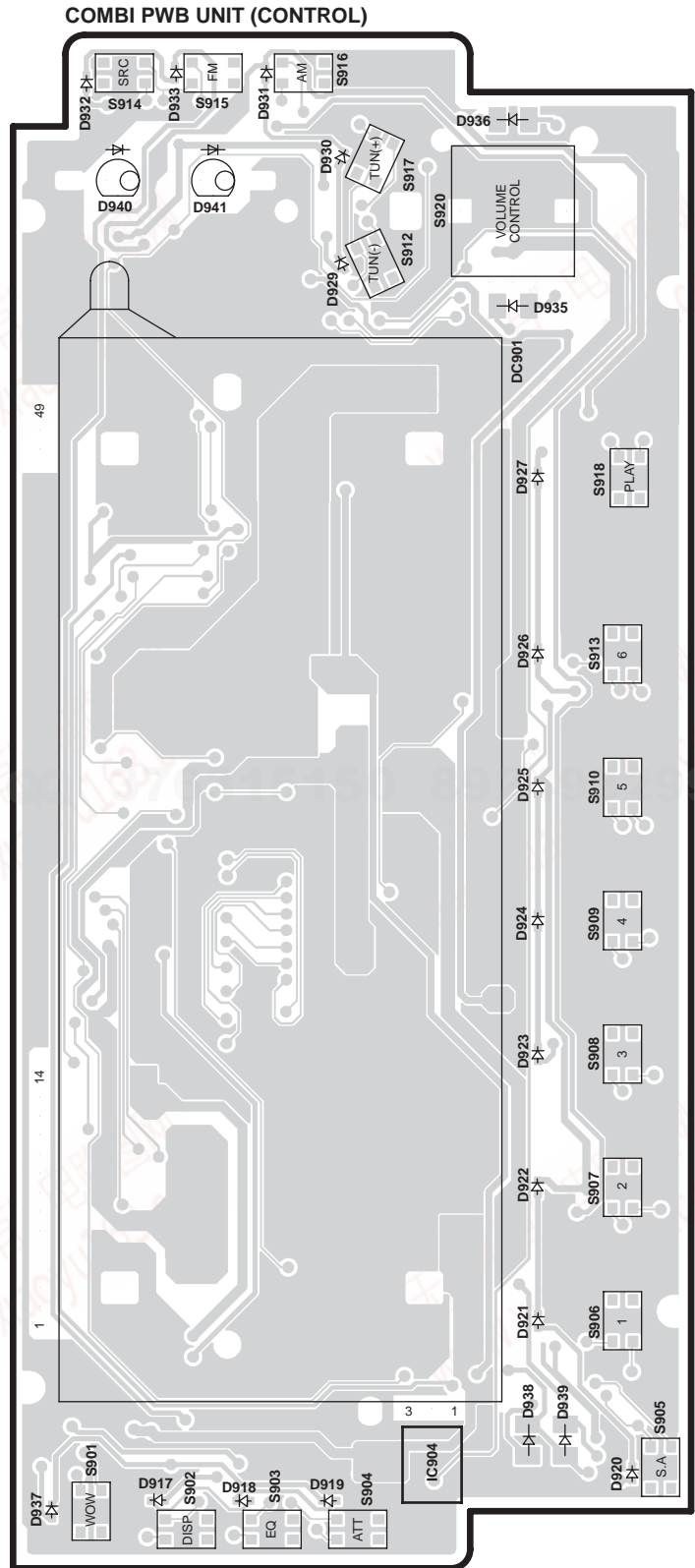
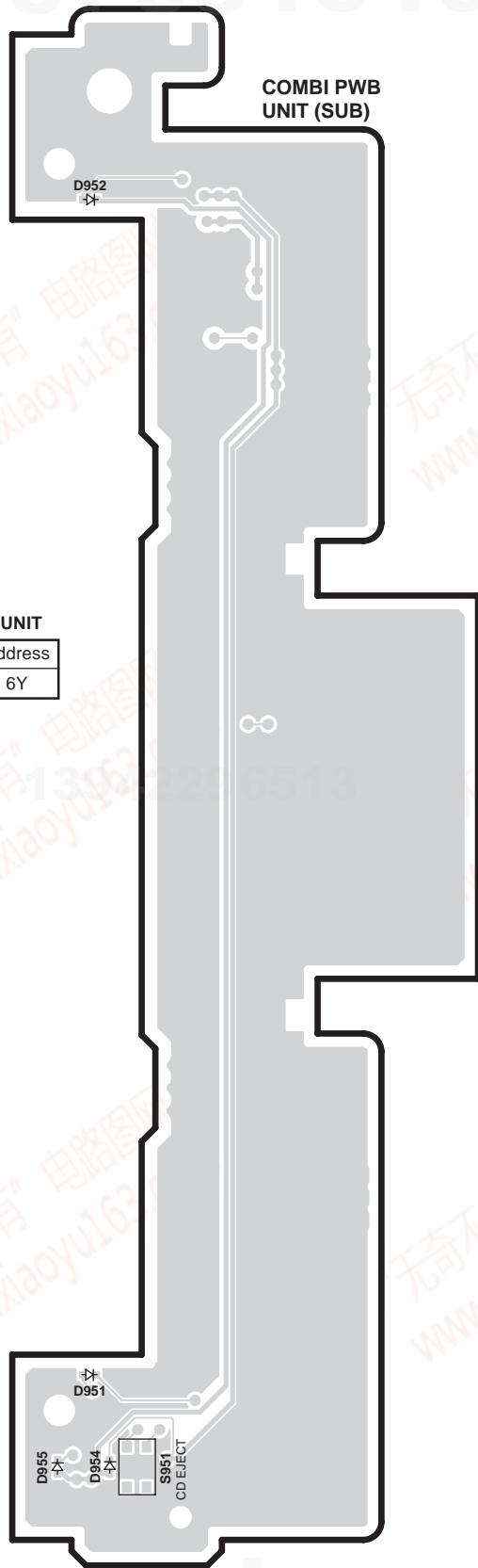


### MAIN PWB UNIT

Ref. No.	Address
IC3	7O
IC305	5N
Q1	7P
Q101	4L
Q102	5L
Q151	4K
Q321	6M
Q322	5M
Q551	2M
Q552	2M
Q553	2M
Q554	2L
Q616	4P
Q618	5Q
Q619	4Q
Q620	4P
Q647	3R
Q648	5R
Q649	3R
Q650	6O
Q651	6O
Q653	6O
Q654	5O
Q655	5P
Q656	5P
Q661	6P
Q662	6P
Q671	5R

Refer to the schematic diagram for the values of resistors and capacitors.

# DPX-MP5070 PC BOARD (COMPONENT SIDE VIEW)



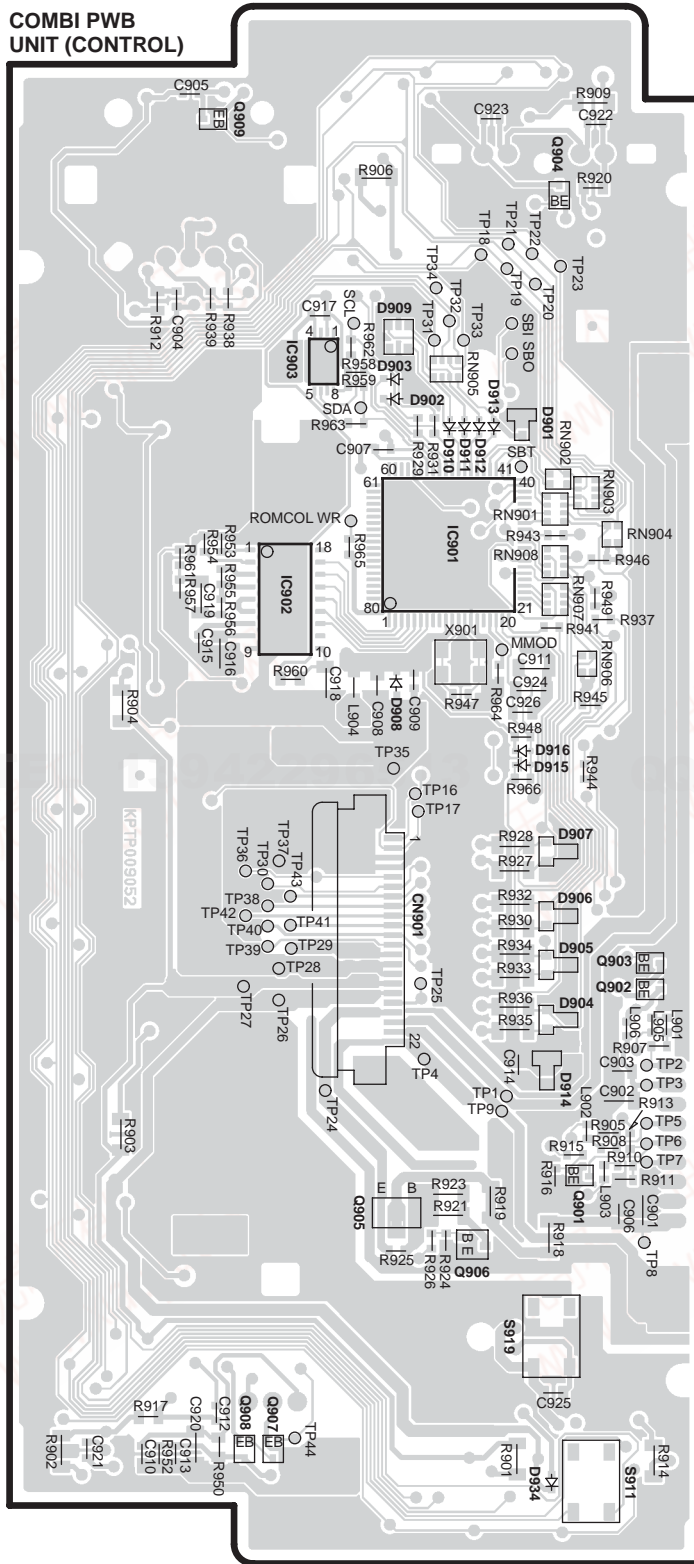
**COMBI PWB UNIT**

Ref. No.	Address
IC904	6Y

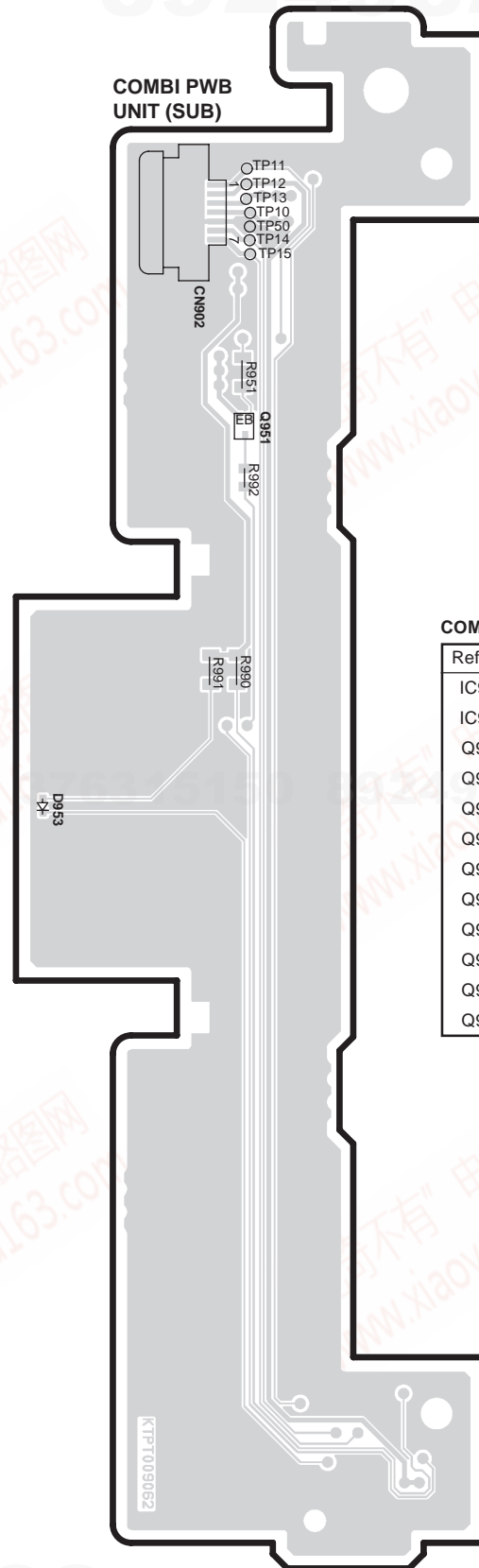
Refer to the schematic diagram for the values of resistors and capacitors.

# PC BOARD (FOIL SIDE VIEW)

## COMBI PWB UNIT (CONTROL)



## COMBI PWB UNIT (SUB)



### COMBI PWB UNIT

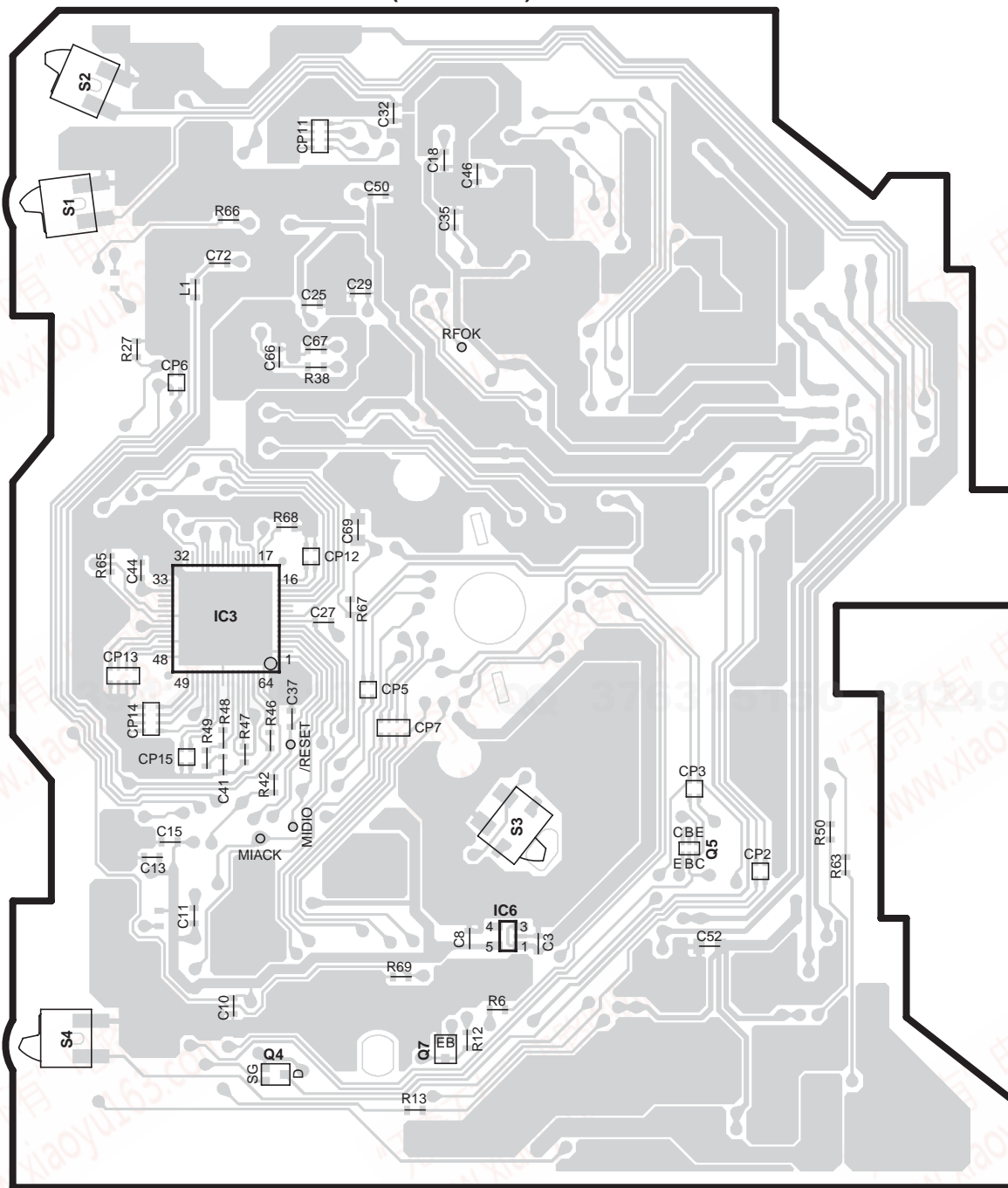
Ref. No.	Address
IC901	3AA
IC902	3Z
Q901	5AA
Q902	5AB
Q903	5AB
Q904	2AA
Q905	5AA
Q906	6AA
Q907	6Z
Q908	6Z
Q909	2Z
Q951	3AC

Refer to the schematic diagram for the values of resistors and capacitors.

## DPX-MP5070

## PC BOARD (COMPONENT SIDE VIEW)

CD PLAYER UNIT X32-5500-01 (J74-1552-12)



X32-5500-01

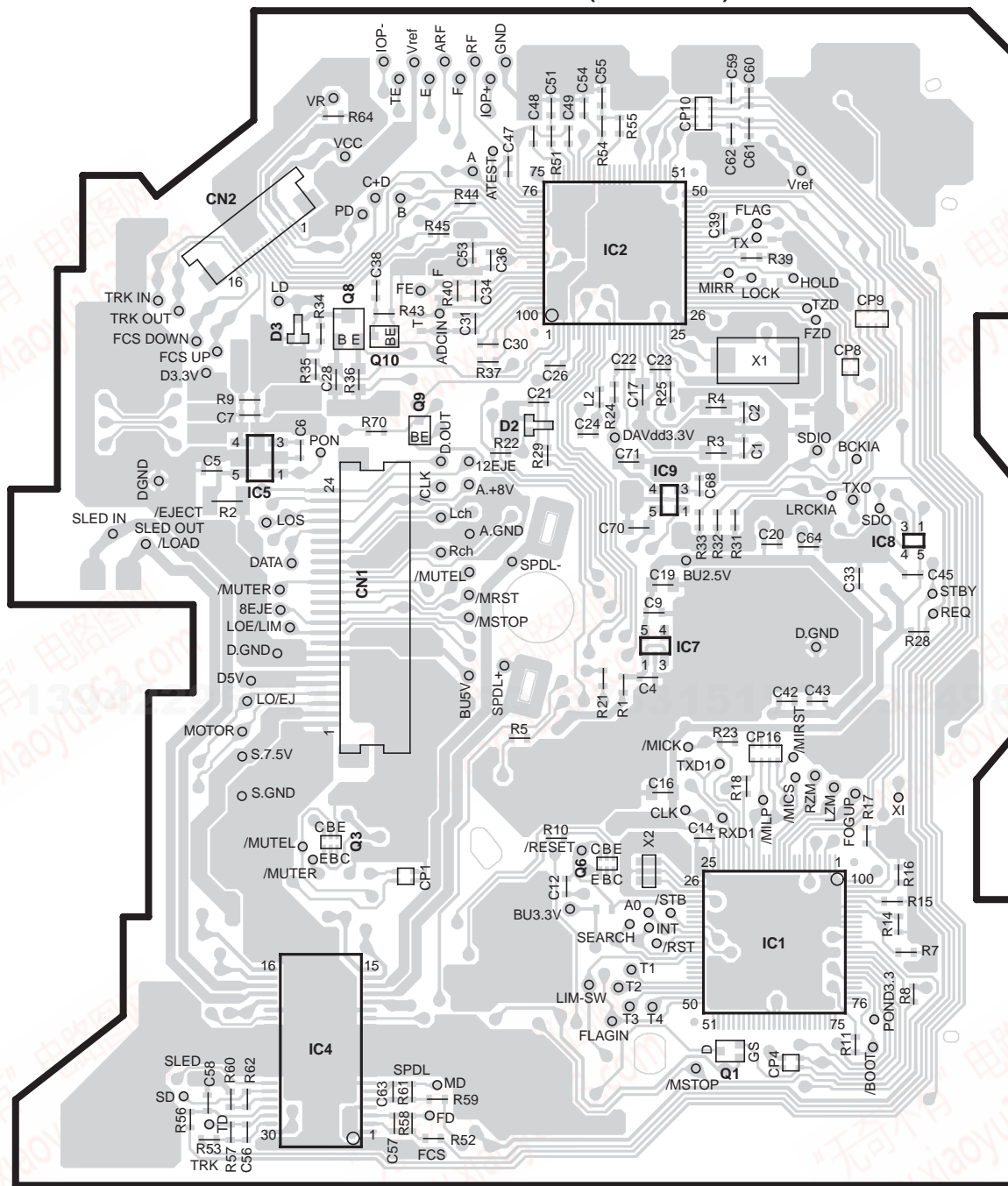
Ref. No.	Address
IC3	4AF
IC6	5AG
Q4	5AF
Q5	5AH
Q7	5AG

Refer to the schematic diagram for the values of resistors and capacitors.



## PC BOARD (FOIL SIDE VIEW)

## CD PLAYER UNIT X32-5500-01 (J74-1552-12)



## X32-5500-01

Ref. No.	Address	Ref. No.	Address
IC1	5AM	Q1	5AM
IC2	2AL	Q3	5AK
IC4	5AK	Q6	5AL
IC5	3AK	Q8	2AK
IC7	4AL	Q9	3AK
IC8	3AM	Q10	3AK
IC9	3AL		

Refer to the schematic diagram for the values of resistors and capacitors.



1

2

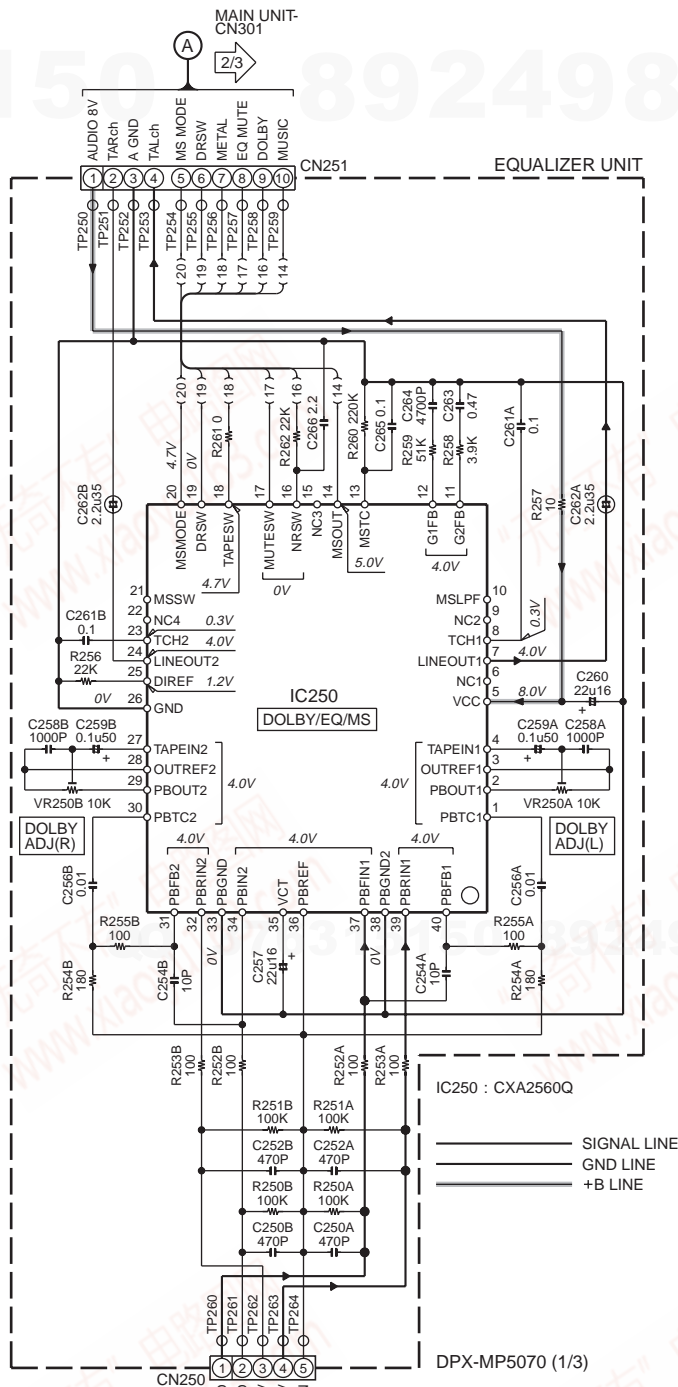
3

4

5

6

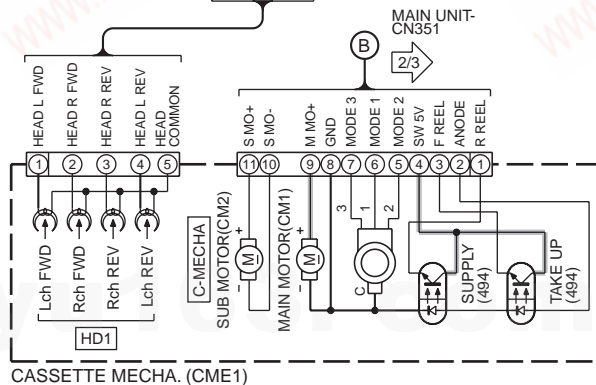
7



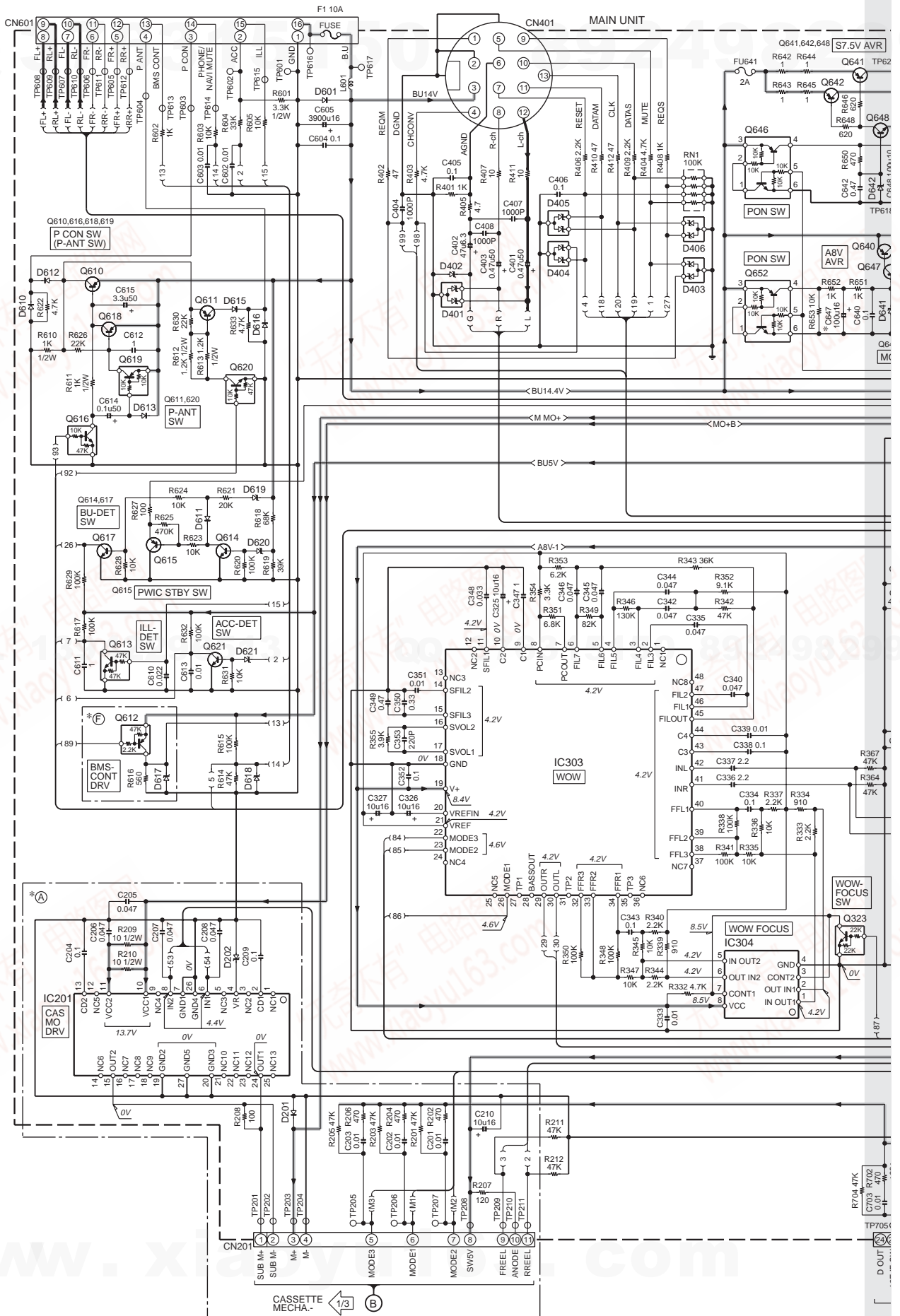
**CAUTION :** For continued safety, replace safety critical components only with manufacturer's recommended parts (refer to parts list).

△ Indicates safety critical components. To reduce the risk of electric shock, leakage-current or resistance measurements shall be carried out (exposed parts are acceptably insulated from the supply circuit) before the appliance is returned to the customer.

- DC voltages are as measured with a high impedance volt-meter. Values may vary slightly due to variations between individual instruments and/or units.

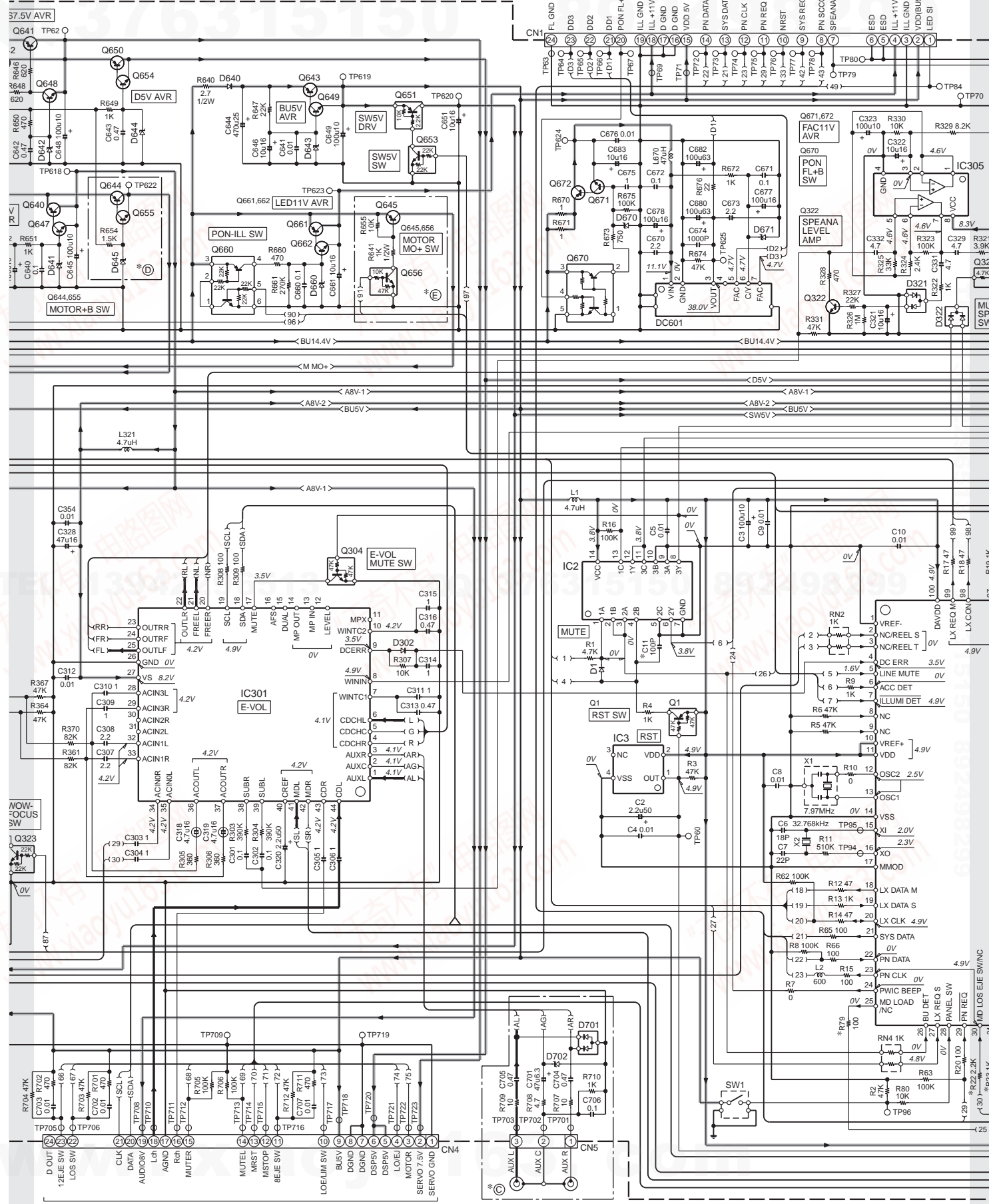


# DPX-MP5070



# DPX-MP5070

CONTROL UNIT-CN901  
SUB UNIT-CN902

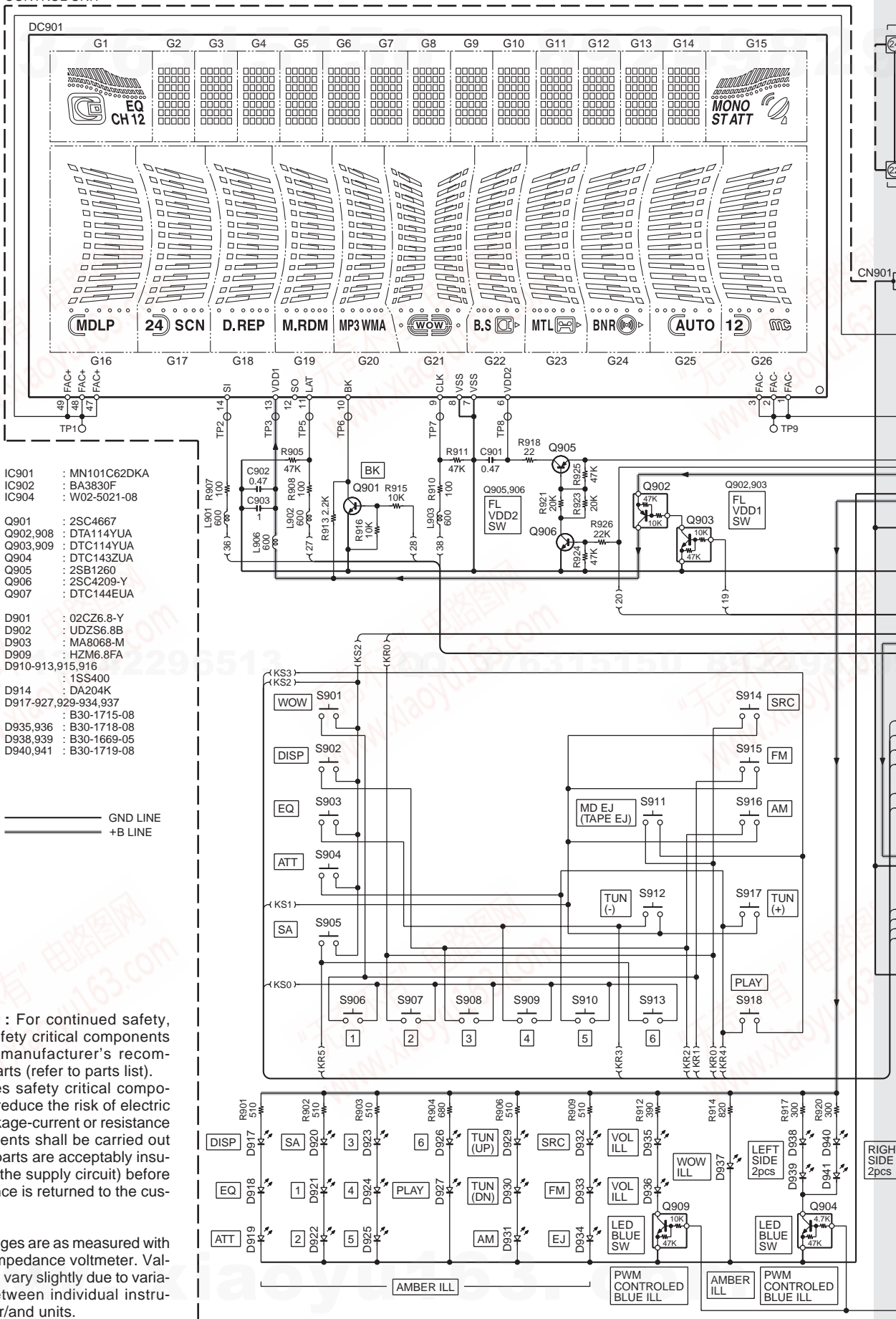






# DPX-MP5070

## CONTROL UNIT



- IC901 : MN101C62DKA
- IC902 : BA3830F
- IC904 : W02-5021-08
- Q901 : 2SC4667
- Q902,908 : DTA114YUA
- Q903,909 : DTC114YUA
- Q904 : DTC143ZUA
- Q905 : 2SB1260
- Q906 : 2SC4209-Y
- Q907 : DTC144EUA
- D901 : 02CZ6.8-Y
- D902 : UDZS6.8B
- D903 : MA8068-M
- D909 : HZM6.8FA
- D910-913,915,916 : 1SS400
- D914 : DA204K
- D917-927,929-934,937 : B30-1715-08
- D935,936 : B30-1718-08
- D938,939 : B30-1669-05
- D940,941 : B30-1719-08

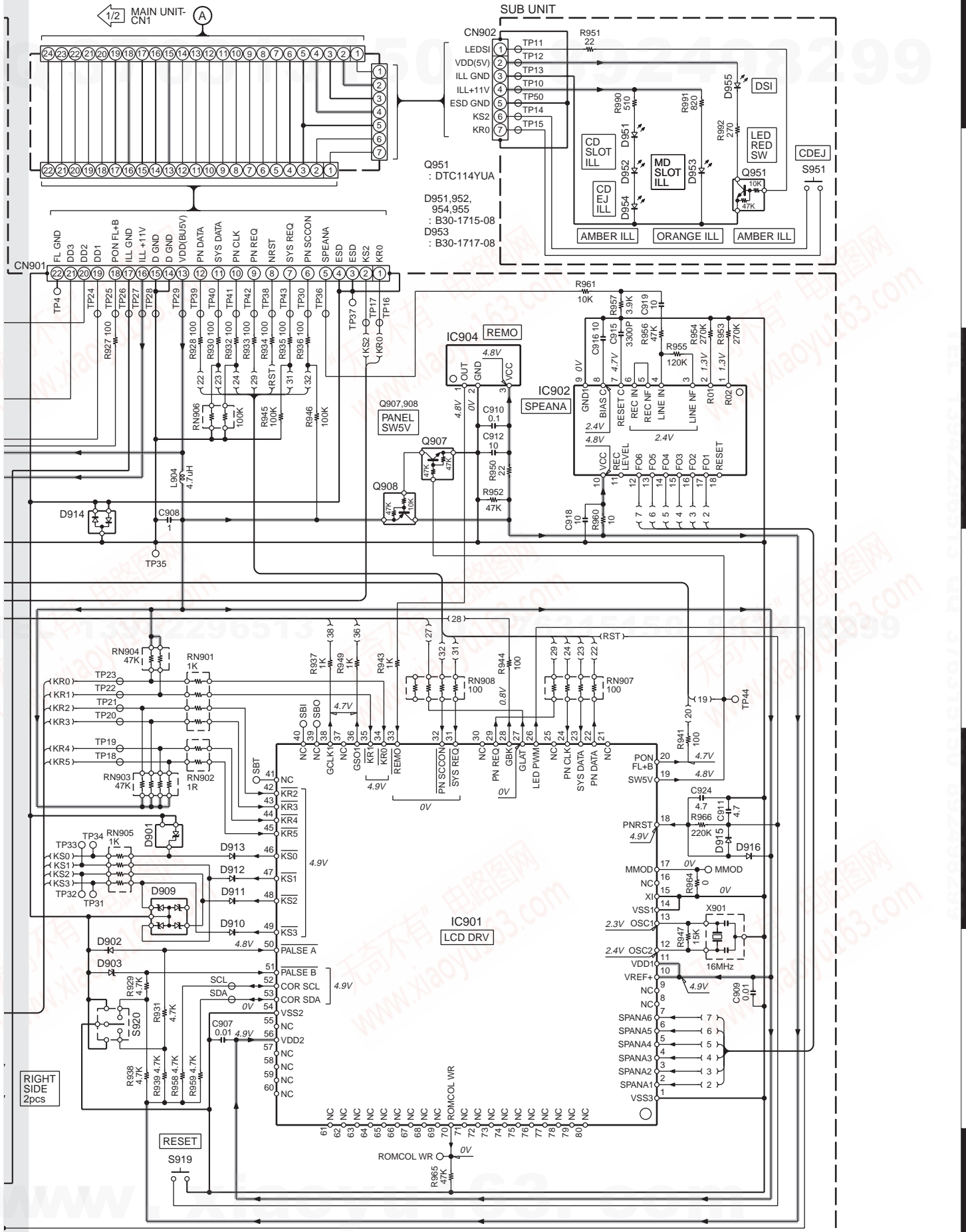
— GND LINE  
 = +B LINE

**CAUTION :** For continued safety, replace safety critical components only with manufacturer's recommended parts (refer to parts list).

△ Indicates safety critical components. To reduce the risk of electric shock, leakage-current or resistance measurements shall be carried out (exposed parts are acceptably insulated from the supply circuit) before the appliance is returned to the customer.

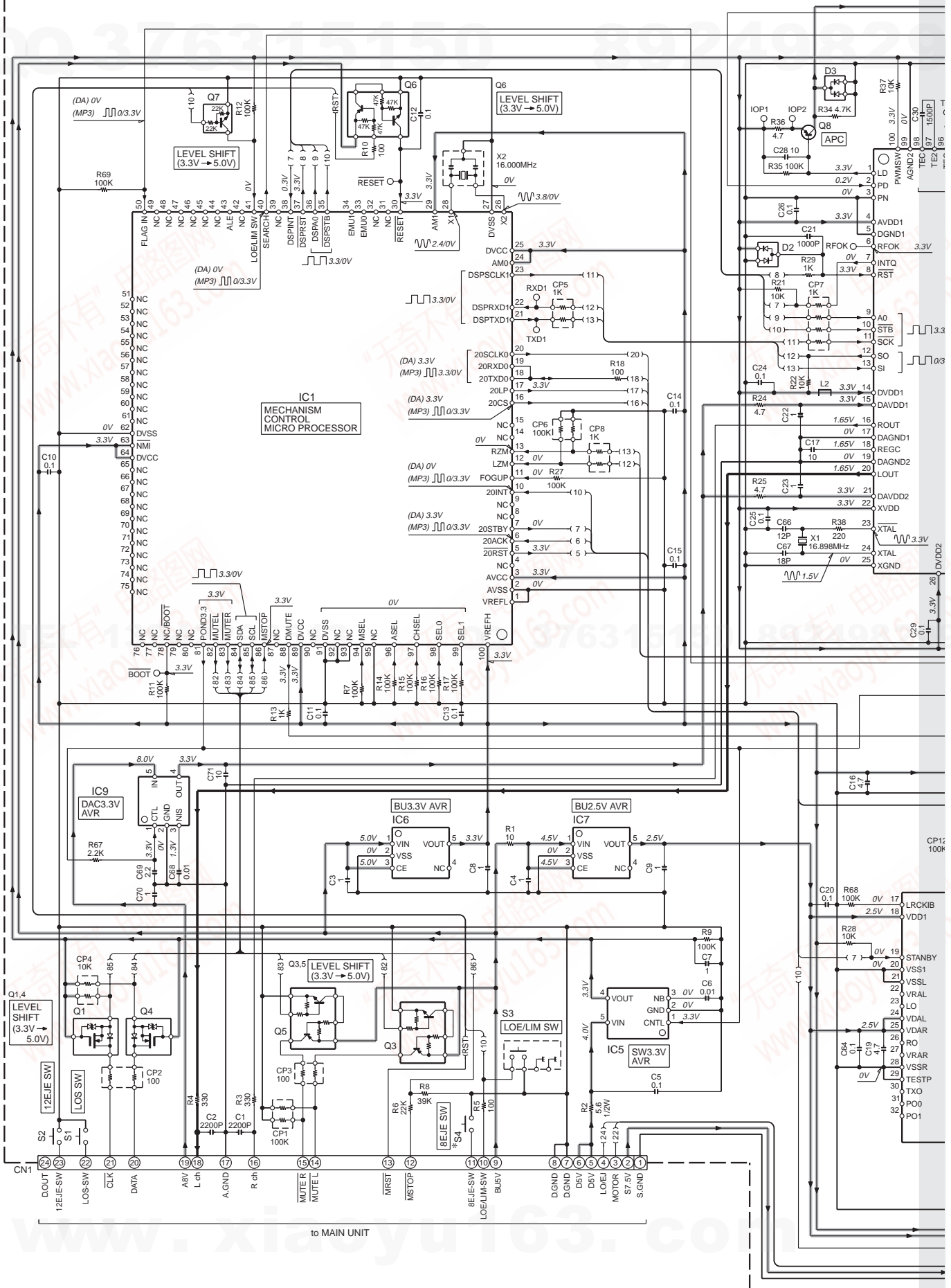
- DC voltages are as measured with a high impedance voltmeter. Values may vary slightly due to variations between individual instruments or/and units.





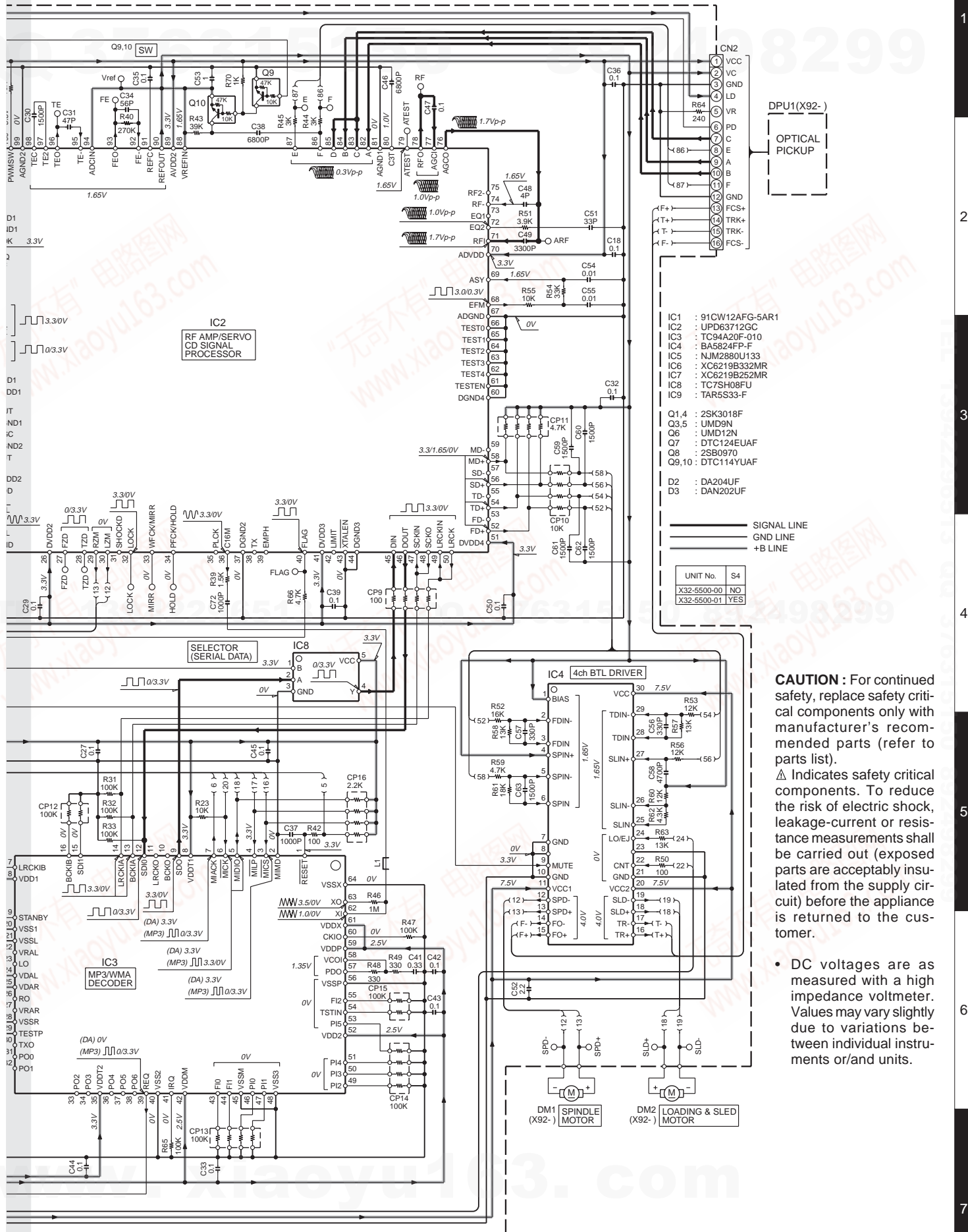
# DPX-MP5070

CD PLAYER UNIT (X32-5500-00/01)



to MAIN UNIT

## DPX-MP5070

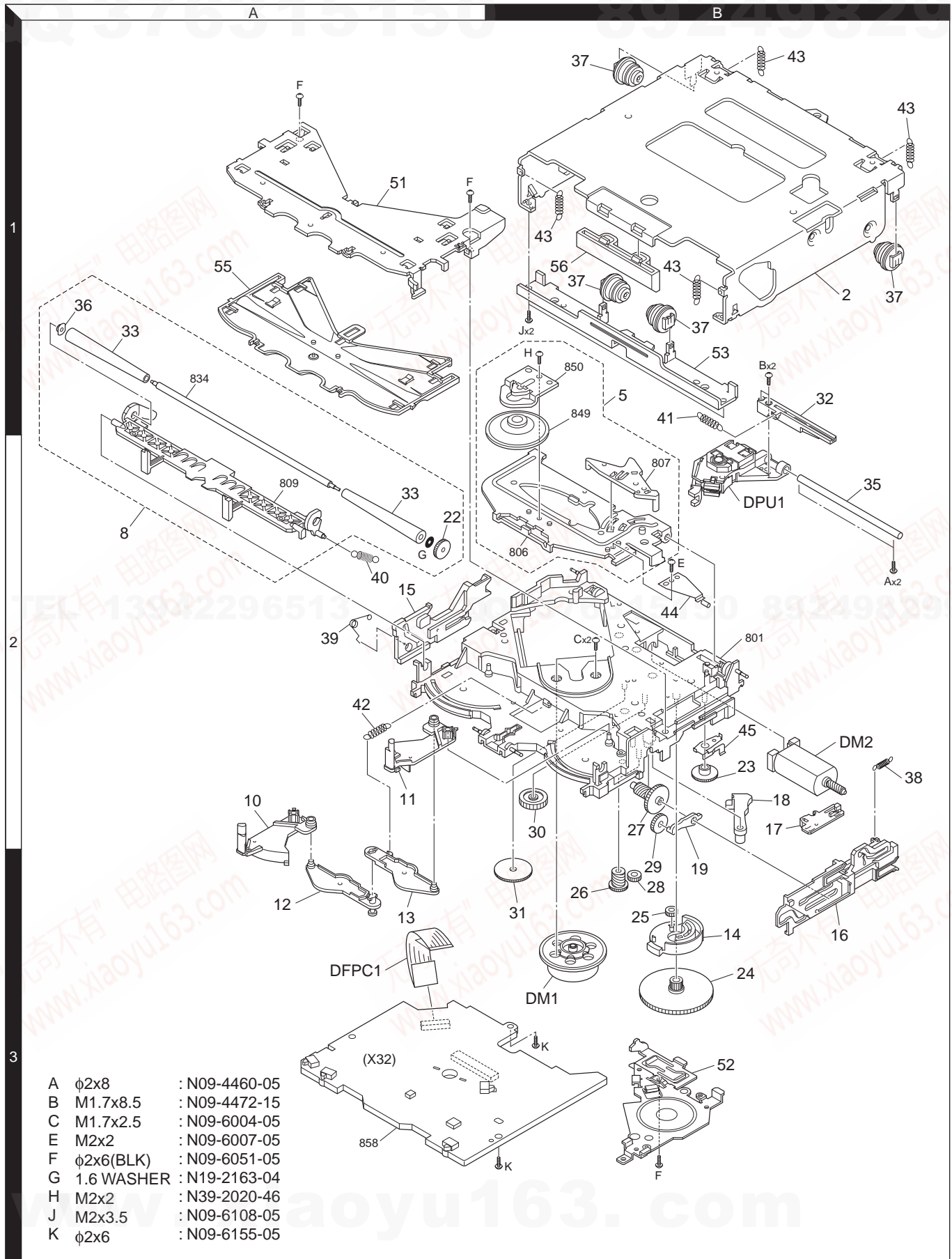


**CAUTION** : For continued safety, replace safety critical components only with manufacturer's recommended parts (refer to parts list).  
 ⚠ Indicates safety critical components. To reduce the risk of electric shock, leakage-current or resistance measurements shall be carried out (exposed parts are acceptably insulated from the supply circuit) before the appliance is returned to the customer.

- DC voltages are as measured with a high impedance voltmeter. Values may vary slightly due to variations between individual instruments or/and units.

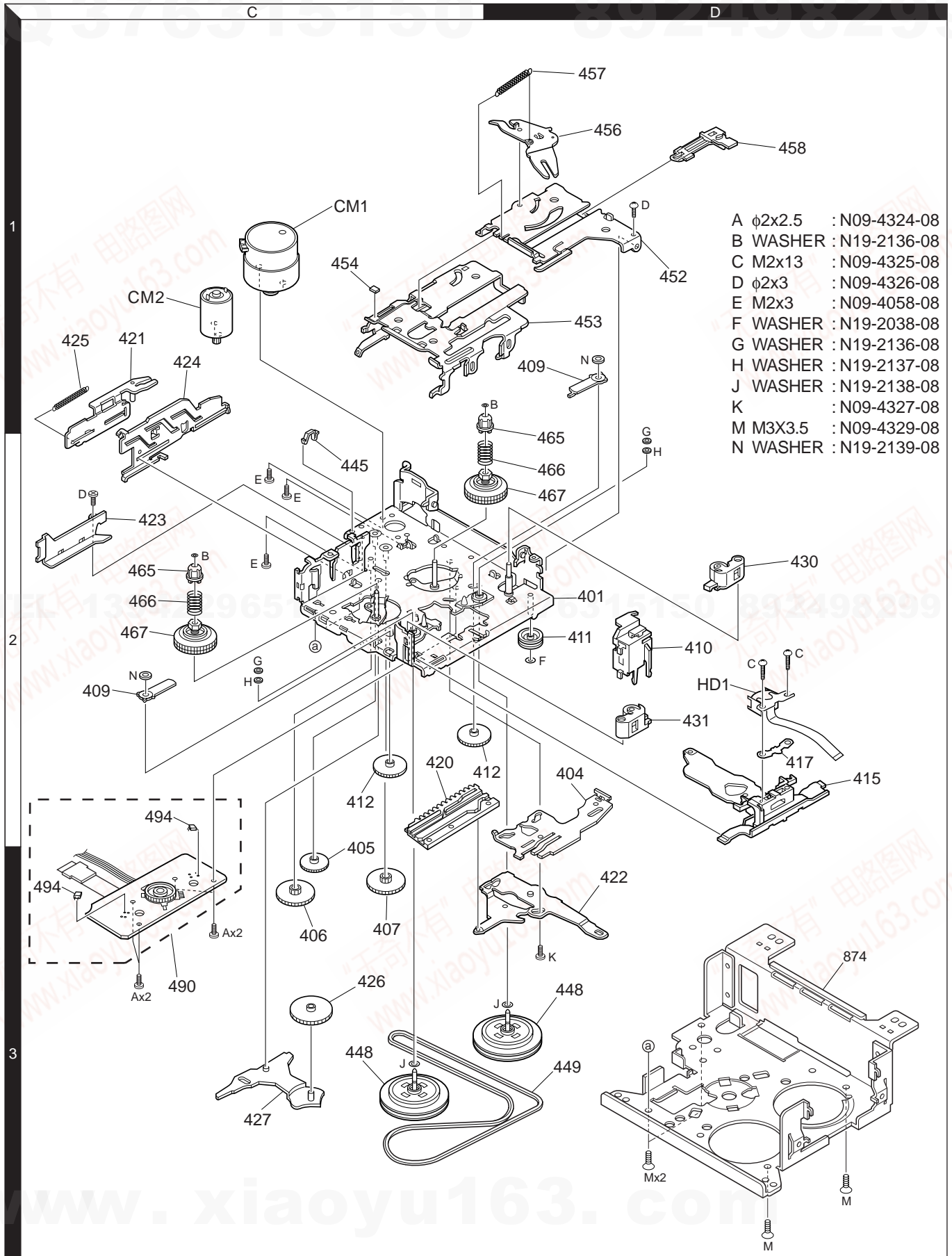
# DPX-MP5070

## EXPLODED VIEW (CD MECHANISM)



# DPX-MP5070

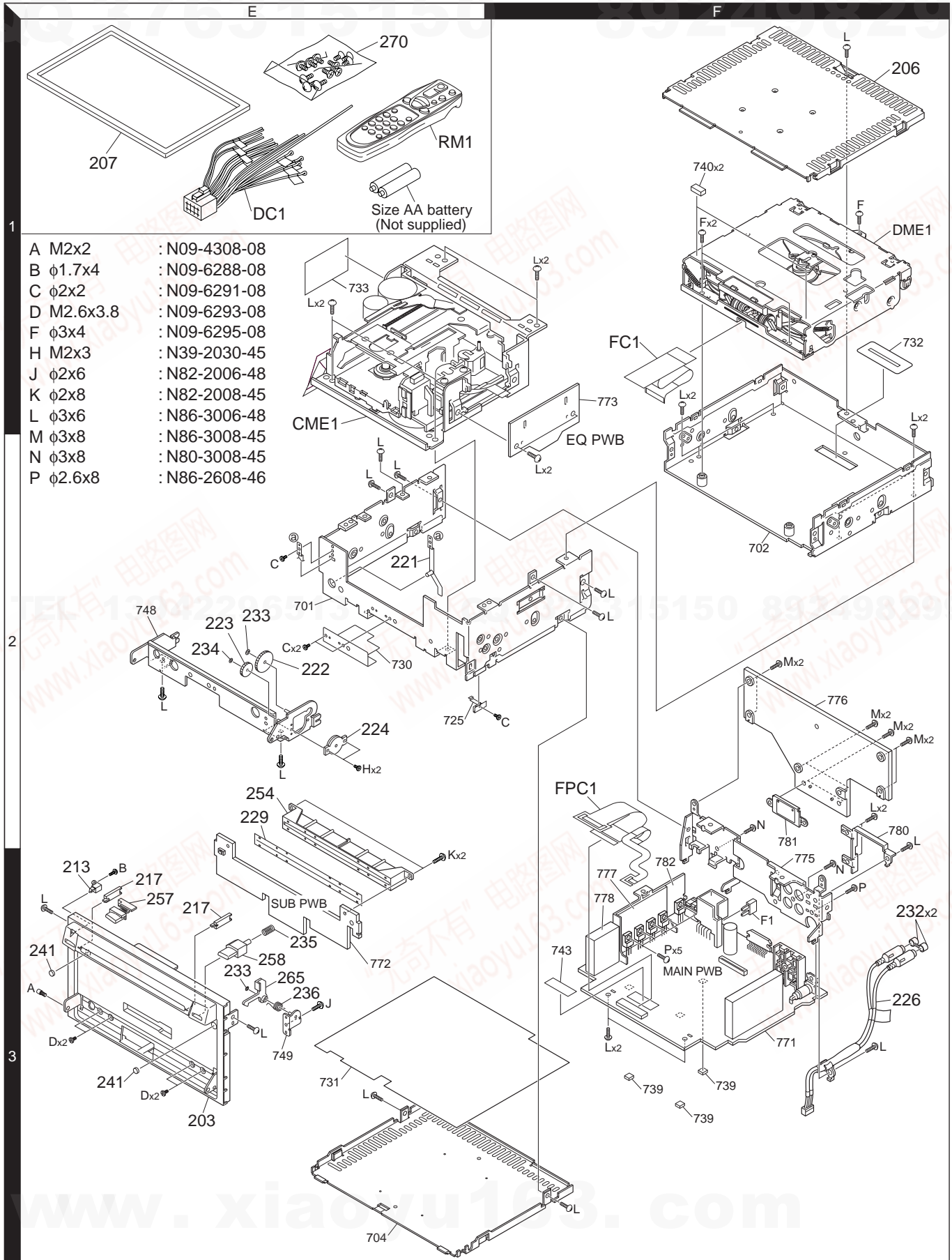
## EXPLODED VIEW (CASSETTE MECHANISM)



Parts with the exploded numbers larger than 700 are not supplied.

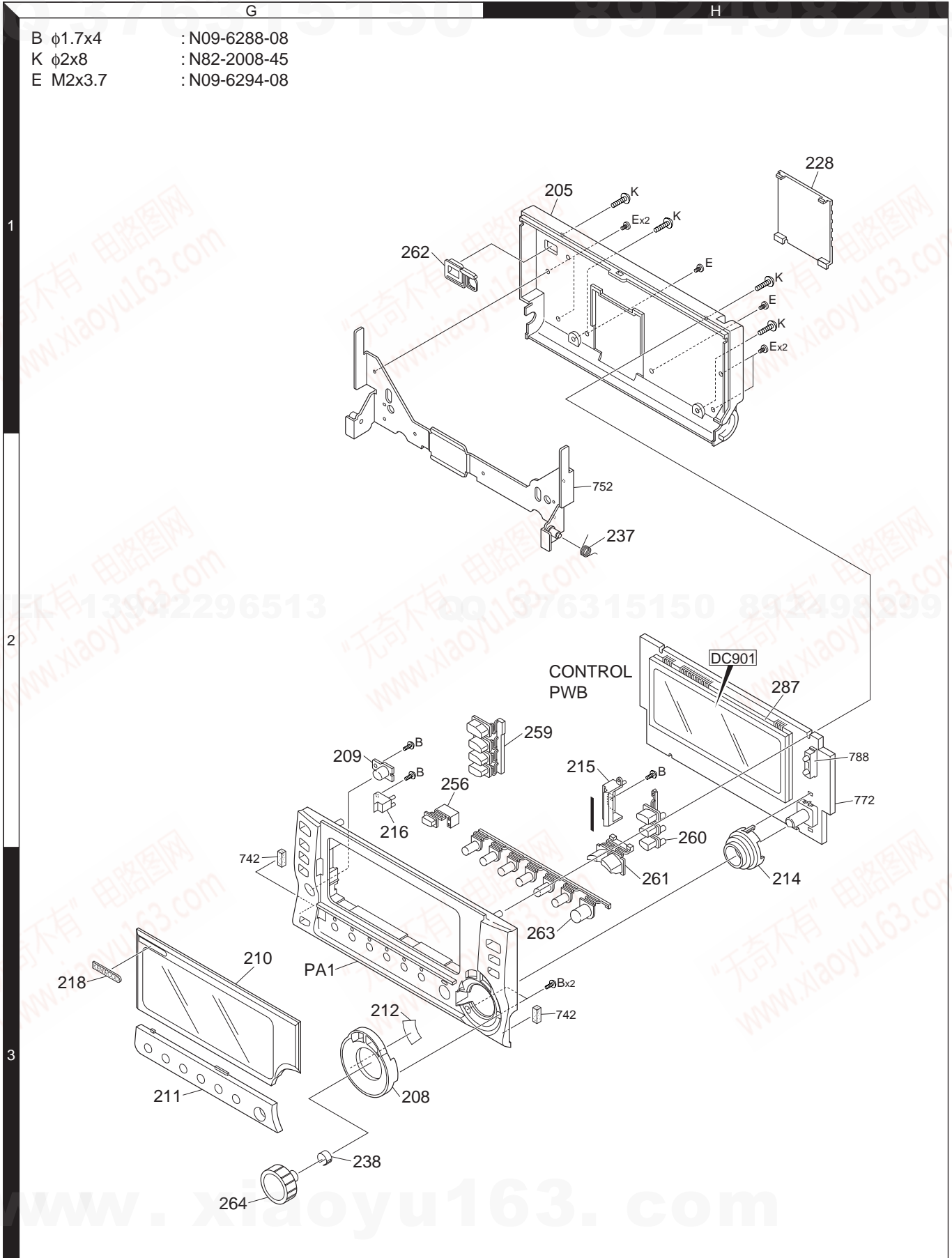
# DPX-MP5070

## EXPLODED VIEW (UNIT)



## EXPLODED VIEW (PANEL)

B $\phi 1.7 \times 4$	: N09-6288-08
K $\phi 2 \times 8$	: N82-2008-45
E M2x3.7	: N09-6294-08



Parts with the exploded numbers larger than 700 are not supplied.

# DPX-MP5070

## PARTS LIST

\* New parts

Parts without **Parts No.** are not supplied.

Les articles non mentionnés dans le **Parts No.** ne sont pas fournis.

Teile ohne **Parts No.** werden nicht geliefert.

Ref. No.	A d d	N e w	Parts No.	Description	Desti- nation
<b>DPX-MP5070</b>					
203	3E	*	A22-3066-08	SUB PANEL	
205	1H	*	A46-1814-08	REAR COVER	
206	1F	*	A52-0861-08	TOP PLATE	
PA1	3G	*	A64-3563-08	PANEL	
RM1	1E		A70-2059-05	REMOTE CONTROLLER ASSY (RC-505)	
-			B46-0100-50	WARRANTY CARD	
-			B46-0606-04	ID CARD	
-		*	B64-2864-00	INSTRUCT.MANUAL (ENG. T-CHI. KOR)	
207	1E		B07-3046-04	ESCUTCHEON ASSY	
208	3G	*	B07-3121-08	ESCUTCHEON	
209	2G	*	B10-4598-08	FRONT GLASS	
210	3G	*	B10-4681-08	FRONT GLASS ASSY	
211	3G	*	B10-4682-08	FRONT GLASS ASSY	
212	3G	*	B11-1473-08	OPTICAL DIFFUSER	
213	3E	*	B19-2290-08	LIGHTING BOARD	
214	3H	*	B19-2295-08	LIGHTING BOARD	
215	2H	*	B19-2296-08	LIGHTING BOARD	
216	2G	*	B19-2297-08	LIGHTING BOARD	
217	3E	*	B19-2299-08	LIGHTING BOARD	
218	3G	*	B43-1525-08	BADGE	
221	2E	*	D10-4879-08	LEVER ASSY	
222	2E	*	D13-2369-08	GEAR	
223	2E	*	D13-2370-08	GEAR	
224	2E	*	D39-0265-08	DAMPER	
CME1	1E	*	D40-2205-08	CASSETTE MECHANISM ASSY	
226	3F	*	E30-6406-08	CORD WITH PINPLUG	
DC1	1E	*	E30-6405-08	DC CORD ASSY	
FC1	1F	*	E39-0716-08	FLAT CABLE	
228	1H	*	F07-1151-08	COVER	
229	2E	*	F19-1437-08	SHIELDING	
232	3F		F29-0049-05	INSULATING COVER	
233	2E		F29-0618-08	INSULATING WASHER	
234	3E	*	F29-0629-08	INSULATING WASHER	
235	3E	*	G01-3256-08	COMPRESSION SPRING	
236	3E	*	G01-3257-08	TORSION COIL SPRING	
237	2H	*	G01-3258-08	TORSION COIL SPRING	
238	3G	*	G09-2069-08	SPRING	
241	3E	*	G13-1292-08	CUSHION	
-		*	H10-4905-08	POLYSTYRENE FOAMED FIXTURE	
-		*	H10-4906-08	POLYSTYRENE FOAMED FIXTURE	
-			H25-0336-04	PROTECTION BAG	
-			H25-1127-04	PROTECTION BAG	
-		*	H54-3194-08	ITEM CARTON CASE	
254	2E	*	J90-1104-08	GUIDE	
FPC1	3F	*	J86-0005-08	FPC (LEAD FREE)	
256	2G	*	K24-4238-08	KNOB (SA)	
257	3E	*	K24-4239-08	KNOB (CD-EJECT)	
258	3E	*	K24-4240-08	KNOB (OPEN)	
259	2H	*	K25-1684-08	KNOB (WOW-ATT)	
260	3H	*	K25-1685-08	KNOB (SRC-AM)	
261	3H	*	K25-1686-08	KNOB (SEEK)	
262	1G	*	K25-1687-08	KNOB (C-EJ/RESET)	

Ref. No.	A d d	N e w	Parts No.	Description	Desti- nation
263	3H	*	K25-1688-08	KNOB (PRESET)	
264	3G	*	K29-7123-08	KNOB (VOL)	
265	3E	*	K29-7124-08	KNOB (LEVER)	
270	1E		N99-1724-05	SCREW SET	
A	3E		N09-4308-08	MACHINE SCREW (M2X2)	
B	3H	*	N09-6288-08	TAPTITE SCREW (1.7X4)	
C	2E	*	N09-6291-08	MACHINE SCREW (2X2)	
D	3E	*	N09-6293-08	MACHINE SCREW (M2.6X3.8)	
E	1H	*	N09-6294-08	MACHINE SCREW (M2X3.7)	
F	1F	*	N09-6295-08	TAPTITE SCREW (3X4)	
H	2E		N39-2030-45	PAN HEAD MACHINE SCREW	
J	3E		N82-2006-48	BINDING HEAD TAPTITE SCREW	
K	1H		N82-2008-45	BINDING HEAD TAPTITE SCREW	
L	1F		N86-3006-48	BINDING HEAD TAPTITE SCREW	
M	2F		N86-3008-45	BINDING HEAD TAPTITE SCREW	
DME1	1F	*	X92-4850-03	CD MECHANISM ASSY	
<b>MAIN PWB UNIT</b>					
C2			CD04AT1H2R2M	ELECTRO 2.2UF 50WV	
C3		*	C90-6721-08	ELECTRO 100UF 10WV	
C4,5			CK73GB1H103K	CHIP C 0.010UF K	
C6			CC73GCH1H180J	CHIP C 18PF J	
C7			CC73GCH1H220J	CHIP C 22PF J	
C8-10			CK73GB1H103K	CHIP C 0.010UF K	
C11			CC73GCH1H101J	CHIP C 100PF J	
C20			CK73GB1H103K	CHIP C 0.010UF K	
C101			CD04AR1C221M	ELECTRO 220UF 16WV	
C103			CC73GCH1H220J	CHIP C 22PF J	
C104,105			CK73GB1H103K	CHIP C 0.010UF K	
C106,107			CK73GB1H123K	CHIP C 0.012UF K	
C108			CC73GCH1H101J	CHIP C 100PF J	
C109			CD04AR1C221M	ELECTRO 220UF 16WV	
C111			CK73EB0J106K	CHIP C 10UF K	
C151			CK73GB1H102K	CHIP C 1000PF K	
C152			CC73GCH1H331J	CHIP C 330PF J	
C153			CC73GCH1H150J	CHIP C 15PF J	
C154			CK73GB1H103K	CHIP C 0.010UF K	
C155			CC73GCH1H150J	CHIP C 15PF J	
C156			CC73GCH1H331J	CHIP C 330PF J	
C157,158			CK73GB1H103K	CHIP C 0.010UF K	
C159			CD04AT1C100M	ELECTRO 10UF 16WV	
C160,161			CD04AT1HR47M	ELECTRO 0.47UF 50WV	
C162			CD04AR1C221M	ELECTRO 220UF 16WV	
C163			C90-5225-08	NP-ELEC 0.1UF 50WV	
C164			CD04AR1C221M	ELECTRO 220UF 16WV	
C201-203			CK73GB1H103K	CHIP C 0.010UF K	
C204			CK73GB1H104K	CHIP C 0.10UF K	
C205-208			CK73GB1H473K	CHIP C 0.047UF K	
C209			CK73GB1H104K	CHIP C 0.10UF K	
C210			CD04AT1C100M	ELECTRO 10UF 16WV	
C301,302			CK73GB1H104K	CHIP C 0.10UF K	
C303-306			CK73FB1C105K	CHIP C 1.0UF K	
C307,308			CK73FB1A225K	CHIP C 2.2UF K	
C309,310			CK73FB1C105K	CHIP C 1.0UF K	

M : Other Areas

△ Indicates safety critical components.



## PARTS LIST

### MAIN PWB UNIT

Ref. No.	Add	New	Parts No.	Description	Destination	Ref. No.	Add	New	Parts No.	Description	Destination
C311			CK73GB0J105K	CHIP C 1.0UF K		C611,612			CK73GB0J105K	CHIP C 1.0UF K	
C312			CK73GB1H103K	CHIP C 0.010UF K		C613			CK73GB1H103K	CHIP C 0.010UF K	
C313			CK73GB1A474K	CHIP C 0.47UF K		C614			CD04AT1H0R1M	ELECTRO 0.1UF 50WV	
C314,315			CK73GB0J105K	CHIP C 1.0UF K		C615			CD04AT1H3R3M	ELECTRO 3.3UF 50WV	
C316			CK73GB1A474K	CHIP C 0.47UF K		C640			CK73GB1H104K	CHIP C 0.10UF K	
C318,319			CD04AX1C4R7M	ELECTRO 4.7UF 16WV		C641			CK73GB1H103K	CHIP C 0.010UF K	
C320			CD04AT1H2R2M	ELECTRO 2.2UF 50WV		C642,643			CK73GB1A474K	CHIP C 0.47UF K	
C321,322			CD04AT1C100M	ELECTRO 10UF 16WV		C644		*	C90-6717-08	ELECTRO 470UF 25WV	
C323,324		*	C90-6721-08	ELECTRO 100UF 10WV		C645			C94-0221-05	ELECTRO 100UF 10WV	
C325-327			CD04AT1C100M	ELECTRO 10UF 16WV		C646			CD04AT1C100M	ELECTRO 10UF 16WV	
C328		*	C90-6723-08	ELECTRO 47UF 16WV		C647			C90-2979-05	ELECTRO 100UF 50WV	
C329			CK73EB1A475K	CHIP C 4.7UF K		C648			C94-0221-05	ELECTRO 100UF 10WV	
C330			CK73GB1H332K	CHIP C 3300PF K		C649		*	C90-6721-08	ELECTRO 100UF 10WV	
C331,332			CK73EB1A475K	CHIP C 4.7UF K		C651			CD04AT1C100M	ELECTRO 10UF 16WV	
C333			CK73GB1H103K	CHIP C 0.010UF K		C660			CK73GB1H104K	CHIP C 0.10UF K	
C334			CK73GB1H104K	CHIP C 0.10UF K		C661			CD04AT1C100M	ELECTRO 10UF 16WV	
C335			CK73GB1H473K	CHIP C 0.047UF K		C670			C93-1356-08	CERAMIC 2.2UF Z	
C336,337			CK73FB1A225K	CHIP C 2.2UF K		C671,672			CK73GB1H104K	CHIP C 0.10UF K	
C338			CK73GB1H104K	CHIP C 0.10UF K		C673			C93-1356-08	CERAMIC 2.2UF Z	
C339			CK73GB1H103K	CHIP C 0.010UF K		C674			C93-1191-08	CERAMIC 1000PF K	
C340			CK73GB1H473K	CHIP C 0.047UF K		C675		*	C93-1375-08	CERAMIC 1.0UF Z	
C342			CK73GB1H473K	CHIP C 0.047UF K		C676			CK73GB1H103K	CHIP C 0.010UF K	
C343			CK73GB1H104K	CHIP C 0.10UF K		C677			C90-2979-05	ELECTRO 100UF 50WV	
C344-346			CK73GB1H473K	CHIP C 0.047UF K		C678			C90-5686-05	ELECTRO 100UF 16WV	
C347			CK73GB0J105K	CHIP C 1.0UF K		C680		*	C90-6720-08	ELECTRO 100UF 63WV	
C348			CK73GB1H333K	CHIP C 0.033UF K		C682		*	C90-6720-08	ELECTRO 100UF 63WV	
C349			CK73GB1A474K	CHIP C 0.47UF K		C683			CD04AY1C100M	ELECTRO 10UF 16WV	
C350			CK73GB1A334K	CHIP C 0.33UF K		C701		*	C90-6722-08	ELECTRO 47UF 6.3WV	
C351			CK73GB1H103K	CHIP C 0.010UF K		C702,703			CK73GB1H103K	CHIP C 0.010UF K	
C352			CK73GB1H104K	CHIP C 0.10UF K		C704,705			CK73GB1A474K	CHIP C 0.47UF K	
C353			CC73GCH1H221J	CHIP C 220PF J		C706			CK73FB1E104K	CHIP C 0.10UF K	
C354			CK73GB1H103K	CHIP C 0.010UF K		C707			CK73GB1H103K	CHIP C 0.010UF K	
C380,381		*	C90-6721-08	ELECTRO 100UF 10WV		C754,755			CK73GB1H104K	CHIP C 0.10UF K	
C382			CD04AT1C220M	ELECTRO 22UF 16WV							
C383			CK73FB1C105K	CHIP C 1.0UF K							
C384			CK73GB1H103K	CHIP C 0.010UF K		ANT101			E04-0323-08	RF COAXIAL CABLE RECEPTACLE	
C385			CK73FB1C105K	CHIP C 1.0UF K		CN1		*	E40-9859-05	FLAT CABLE CONNECTOR	
C401			C90-5620-05	ELECTRO 0.47UF 50WV		CN3			E41-2270-08	FLAT CABLE CONNECTOR	
C402		*	C90-6716-08	ELECTRO 47UF 6.3WV		CN4			E40-9656-05	FLAT CABLE CONNECTOR	
C403			C90-5620-05	ELECTRO 0.47UF 50WV		CN5			E41-0956-05	PIN ASSY	
C404			CK73GB1H102K	CHIP C 1000PF K		CN201		*	E41-2271-08	FLAT CABLE CONNECTOR	
C405,406			CK73FB1E104K	CHIP C 0.10UF K		CN401			E56-0834-05	CYLINDRICAL RECEPTACLE	
C407,408			CK73GB1H102K	CHIP C 1000PF K		CN401			E56-0834-05	CYLINDRICAL RECEPTACLE	
C501,502			CK73FB1A225K	CHIP C 2.2UF K		CN601			E03-0403-08	DC JACK	
C503-510			C93-1366-08	CERAMIC 0.47UF K		△ CN601			E58-0863-15	RECTANGULAR RECEPTACLE	
C511			CK73GB0J105K	CHIP C 1.0UF K		JAC1			E63-0869-08	PIN JACK	
C512		*	C90-6718-08	ELECTRO 33UF 16WV		F1	3F		F52-0006-05	FUSE (MINI BLADE TYPE)	
C513			CD04AT1H010M	ELECTRO 1UF 50WV		F641		*	F09-1933-08	PROTECTOR (FUSE)	
C551,552			CK73GB1H104K	CHIP C 0.10UF K		L1		*	L33-2234-08	SMALL FIXED INDUCTOR	
C553-556			CK73FB1E222K	CHIP C 2200PF K		L2-4			L92-0332-05	CHIP FERRITE	
C557-560			CD04AT1C100M	ELECTRO 10UF 16WV		L101			L33-1123-05	LINE FILTER COIL	
C602,603			CK73GB1H103K	CHIP C 0.010UF K		L102		*	L33-1001-05	SMALL FIXED INDUCTOR	
C604			CK73GB1H104K	CHIP C 0.10UF K		L103			L33-2235-08	SMALL FIXED INDUCTOR	
C605			C90-5328-08	ELECTRO 3900UF 16WV		L104			L92-0372-08	CHIP FERRITE	
C610			C93-1151-08	CHIP C 0.022UF K		L151			L92-0372-08	CHIP FERRITE	

M : Other Areas

△ Indicates safety critical components.

## PARTS LIST

### MAIN PWB UNIT

Ref. No.	Add	New	Parts No.	Description	Destination
L321		*	L33-2234-08	SMALL FIXED INDUCTOR	
L601			L33-1988-05	CHOKE COIL ASSY	
L670		*	L33-2238-08	LINE FILTER COIL	
X1		*	L78-1202-08	RESONATOR	
X2			L77-2304-05	CRYSTAL RESONATOR	
X151			L77-2762-08	CRYSTAL RESONATOR	
L	3F		N86-3006-48	BINDING HEAD TAPTITE SCREW	
M	2F		N86-3008-45	BINDING HEAD TAPTITE SCREW	
N	3F		N80-3008-45	PAN HEAD TAPTITE SCREW	
P	3F	*	N86-2608-48	BINDING HEAD TAPTITE SCREW	
JC3			R92-2053-05	CHIP R 0 OHM J 1/8W	
JC8-10			R92-2053-05	CHIP R 0 OHM J 1/8W	
JC11			R92-1252-05	CHIP R 0 OHM J 1/16W	
JC13			R92-2053-05	CHIP R 0 OHM J 1/8W	
JC24-30			R92-2053-05	CHIP R 0 OHM J 1/8W	
JC34-36			R92-2053-05	CHIP R 0 OHM J 1/8W	
JC41-44			R92-2053-05	CHIP R 0 OHM J 1/8W	
JC47-52			R92-2053-05	CHIP R 0 OHM J 1/8W	
JC53,54			R92-1252-05	CHIP R 0 OHM J 1/16W	
JC55-58			R92-2053-05	CHIP R 0 OHM J 1/8W	
JC61-65			R92-2053-05	CHIP R 0 OHM J 1/8W	
JC66			R92-1252-05	CHIP R 0 OHM J 1/16W	
JC67			R92-2053-05	CHIP R 0 OHM J 1/8W	
JC68			R92-1252-05	CHIP R 0 OHM J 1/16W	
JC69,70			R92-2053-05	CHIP R 0 OHM J 1/8W	
JC71			R92-2052-05	CHIP R 0 OHM J 1/10W	
R1			RK73GB2A472J	CHIP R 4.7K J 1/10W	
R2,3			RK73GB2A473J	CHIP R 47K J 1/10W	
R4			RK73GB2A102J	CHIP R 1.0K J 1/10W	
R5,6			RK73GB2A473J	CHIP R 47K J 1/10W	
R7			R92-1252-05	CHIP R 0 OHM J 1/16W	
R8			RK73GB2A104J	CHIP R 100K J 1/10W	
R9			RK73GB2A102J	CHIP R 1.0K J 1/10W	
R10			R92-1252-05	CHIP R 0 OHM J 1/16W	
R11			RK73GB2A514J	CHIP R 510K J 1/10W	
R12			RK73GB2A470J	CHIP R 47 J 1/10W	
R13			RK73GB2A102J	CHIP R 1.0K J 1/10W	
R14			RK73GB2A470J	CHIP R 47 J 1/10W	
R15			RK73GB2A101J	CHIP R 100 J 1/10W	
R16			RK73GB2A104J	CHIP R 100K J 1/10W	
R17,18			RK73GB2A470J	CHIP R 47 J 1/10W	
R19			RK73GB2A102J	CHIP R 1.0K J 1/10W	
R20			RK73GB2A101J	CHIP R 100 J 1/10W	
R21			RK73GB2A102J	CHIP R 1.0K J 1/10W	
R25			RK73GB2A102J	CHIP R 1.0K J 1/10W	
R29			RK73GB2A222J	CHIP R 2.2K J 1/10W	
R30			R92-1252-05	CHIP R 0 OHM J 1/16W	
R31			RK73GB2A102J	CHIP R 1.0K J 1/10W	
R32			R92-1252-05	CHIP R 0 OHM J 1/16W	
R33			RK73GB2A102J	CHIP R 1.0K J 1/10W	
R34			R92-1252-05	CHIP R 0 OHM J 1/16W	
R36			R92-1252-05	CHIP R 0 OHM J 1/16W	
R37			RK73GB2A101J	CHIP R 100 J 1/10W	
R38,39			RK73GB2A102J	CHIP R 1.0K J 1/10W	

Ref. No.	Add	New	Parts No.	Description	Destination
R41			RK73GB2A101J	CHIP R 100 J 1/10W	
R42			RK73GB2A102J	CHIP R 1.0K J 1/10W	
R43			RK73GB2A101J	CHIP R 100 J 1/10W	
R44			RK73GB2A102J	CHIP R 1.0K J 1/10W	
R45			RK73GB2A473J	CHIP R 47K J 1/10W	
R47			RK73GB2A102J	CHIP R 1.0K J 1/10W	
R49			RK73GB2A473J	CHIP R 47K J 1/10W	
R50			RK73GB2A222J	CHIP R 2.2K J 1/10W	
R51			RK73GB2A101J	CHIP R 100 J 1/10W	
R52			RK73GB2A102J	CHIP R 1.0K J 1/10W	
R53,54			RK73GB2A472J	CHIP R 4.7K J 1/10W	
R55,56			RK73GB2A102J	CHIP R 1.0K J 1/10W	
R57			RK73GB2A473J	CHIP R 47K J 1/10W	
R59			RK73GB2A473J	CHIP R 47K J 1/10W	
R61			RK73GB2A472J	CHIP R 4.7K J 1/10W	
R62,63			RK73GB2A104J	CHIP R 100K J 1/10W	
R64			RK73GB2A222J	CHIP R 2.2K J 1/10W	
R65,66			RK73GB2A101J	CHIP R 100 J 1/10W	
R71			RK73GB2A101J	CHIP R 100 J 1/10W	
R73			RK73GB2A101J	CHIP R 100 J 1/10W	
R75,76			RK73GB2A472J	CHIP R 4.7K J 1/10W	
R78			R92-1252-05	CHIP R 0 OHM J 1/16W	
R80			RK73GB2A103J	CHIP R 10K J 1/10W	
R101			RK73GB2A473J	CHIP R 47K J 1/10W	
R102			RK73GB2A104J	CHIP R 100K J 1/10W	
R103,104			RK73GB2A101J	CHIP R 100 J 1/10W	
R151			RK73GB2A102J	CHIP R 1.0K J 1/10W	
R152			RK73GB2A222J	CHIP R 2.2K J 1/10W	
R153			RK73GB2A473J	CHIP R 47K J 1/10W	
R154			RK73GB2A222J	CHIP R 2.2K J 1/10W	
R155			RK73GB2A473J	CHIP R 47K J 1/10W	
R156			RK73GB2A222J	CHIP R 2.2K J 1/10W	
R157			RK73GB2A183J	CHIP R 18K J 1/10W	
R158			RK73GB2A332J	CHIP R 3.3K J 1/10W	
R159			RK73GB2A181J	CHIP R 180 J 1/10W	
R201			RK73GB2A473J	CHIP R 47K J 1/10W	
R202			RK73GB2A471J	CHIP R 470 J 1/10W	
R203			RK73GB2A473J	CHIP R 47K J 1/10W	
R204			RK73GB2A471J	CHIP R 470 J 1/10W	
R205			RK73GB2A473J	CHIP R 47K J 1/10W	
R206			RK73GB2A471J	CHIP R 470 J 1/10W	
R207			RK73GB2A121J	CHIP R 120 J 1/10W	
R208			RK73EB2E101J	CHIP R 100 J 1/4W	
R209,210			RS14DB2H100J	FL-PROOF RS 10 J 1/2W	
R211,212			RK73GB2A473J	CHIP R 47K J 1/10W	
R303,304			RK73GB2A394J	CHIP R 390K J 1/10W	
R305,306			RK73GB2A361J	CHIP R 360 J 1/10W	
R307			RK73GB2A103J	CHIP R 10K J 1/10W	
R308,309			RK73GB2A101J	CHIP R 100 J 1/10W	
R321			RK73GB2A392J	CHIP R 3.9K J 1/10W	
R322			RK73GB2A102J	CHIP R 1.0K J 1/10W	
R323			RK73GB2A104J	CHIP R 100K J 1/10W	
R324			RK73GB2A242J	CHIP R 2.4K J 1/10W	
R325			RK73GB2A333J	CHIP R 33K J 1/10W	
R326			RK73GB2A105J	CHIP R 1.0M J 1/10W	

M : Other Areas

△ Indicates safety critical components.

## PARTS LIST

### MAIN PWB UNIT

Ref. No.	Add	New	Parts No.	Description	Destination	Ref. No.	Add	New	Parts No.	Description	Destination
R327			RK73GB2A223J	CHIP R 22K J 1/10W		R510			RK73GB2A100J	CHIP R 10 J 1/10W	
R328			RK73GB2A471J	CHIP R 470 J 1/10W		R511			RK73GB2A223J	CHIP R 22K J 1/10W	
R329			RK73GB2A822J	CHIP R 8.2K J 1/10W		R512			RK73GB2A221J	CHIP R 220 J 1/10W	
R330			RK73GB2A103J	CHIP R 10K J 1/10W		R551-554			RK73GB2A471J	CHIP R 470 J 1/10W	
R331			RK73GB2A473J	CHIP R 47K J 1/10W		R555-558			RK73GB2A223J	CHIP R 22K J 1/10W	
R332			RK73GB2A472J	CHIP R 4.7K J 1/10W		R559-562			RK73EB2E101J	CHIP R 100 J 1/4W	
R333			RK73GB2A222J	CHIP R 2.2K J 1/10W		R563			RK73GB2A102J	CHIP R 1.0K J 1/10W	
R334			RK73GB2A911J	CHIP R 910 J 1/10W		R566			RK73GB2A102J	CHIP R 1.0K J 1/10W	
R335,336			RK73GB2A103J	CHIP R 10K J 1/10W		R601			RD14DB2H332J	SMALL-RD 3.3K J 1/2W	
R337			RK73GB2A222J	CHIP R 2.2K J 1/10W		R602			RD14BB2E102J	RD 1.0K J 1/4W	
R338			RK73GB2A104J	CHIP R 100K J 1/10W		R603			RD14BB2E103J	RD 10K J 1/4W	
R339			RK73GB2A911J	CHIP R 910 J 1/10W		R604			RK73EB2E333J	CHIP R 33K J 1/4W	
R340			RK73GB2A222J	CHIP R 2.2K J 1/10W		R605			RK73EB2E103J	CHIP R 10K J 1/4W	
R341			RK73GB2A104J	CHIP R 100K J 1/10W		R610,611			RD14DB2H102J	SMALL-RD 1.0K J 1/2W	
R342			RK73GB2A473J	CHIP R 47K J 1/10W		R612,613			RD14DB2H122J	SMALL-RD 1.2K J 1/2W	
R343			RK73GB2A363J	CHIP R 36K J 1/10W		R614			RK73GB2A473J	CHIP R 47K J 1/10W	
R344			RK73GB2A222J	CHIP R 2.2K J 1/10W		R615			RK73GB2A104J	CHIP R 100K J 1/10W	
R345			RK73GB2A103J	CHIP R 10K J 1/10W		R616			RK73FB2B561J	CHIP R 560 J 1/8W	
R346			RK73GB2A134J	CHIP R 130K J 1/10W		R617			RK73GB2A104J	CHIP R 100K J 1/10W	
R347			RK73GB2A103J	CHIP R 10K J 1/10W		R618			RK73GB2A683J	CHIP R 68K J 1/10W	
R348			RK73GB2A104J	CHIP R 100K J 1/10W		R619			RK73GB2A393J	CHIP R 39K J 1/10W	
R349			RK73GB2A823J	CHIP R 82K J 1/10W		R620			RK73GB2A104J	CHIP R 100K J 1/10W	
R350			RK73GB2A104J	CHIP R 100K J 1/10W		R621			RK73GB2A203J	CHIP R 20K J 1/10W	
R351			RK73GB2A682J	CHIP R 6.8K J 1/10W		R622			RK73FB2B472J	CHIP R 4.7K J 1/8W	
R352			RK73GB2A912J	CHIP R 9.1K J 1/10W		R623,624			RK73GB2A103J	CHIP R 10K J 1/10W	
R353			RK73GB2A622J	CHIP R 6.2K J 1/10W		R625			RK73GB2A474J	CHIP R 470K J 1/10W	
R354			RK73GB2A332J	CHIP R 3.3K J 1/10W		R626			RK73GB2A223J	CHIP R 22K J 1/10W	
R355			RK73GB2A392J	CHIP R 3.9K J 1/10W		R627			RK73GB2A101J	CHIP R 100 J 1/10W	
R356			R92-2053-05	CHIP R 0 OHM J 1/8W		R628			RK73GB2A103J	CHIP R 10K J 1/10W	
R361			RK73GB2A823J	CHIP R 82K J 1/10W		R629			RK73GB2A104J	CHIP R 100K J 1/10W	
R364			RK73GB2A473J	CHIP R 47K J 1/10W		R630			RK73GB2A223J	CHIP R 22K J 1/10W	
R367			RK73GB2A473J	CHIP R 47K J 1/10W		R631			RK73GB2A103J	CHIP R 10K J 1/10W	
R370			RK73GB2A823J	CHIP R 82K J 1/10W		R632			RK73GB2A104J	CHIP R 100K J 1/10W	
R380-382			RK73GB2A473J	CHIP R 47K J 1/10W		R633			RK73FB2B472J	CHIP R 4.7K J 1/8W	
R384			R92-1252-05	CHIP R 0 OHM J 1/16W		R640			RD14DB2H2R7J	SMALL-RD 2.7 J 1/2W	
R385			RK73GB2A473J	CHIP R 47K J 1/10W		R641			RD14DB2H102J	SMALL-RD 1.0K J 1/2W	
R386			R92-1252-05	CHIP R 0 OHM J 1/16W		R642-645			RK73EB2E1R0J	CHIP R 1.0 J 1/4W	
R388			RK73GB2A100J	CHIP R 10 J 1/10W		R646			RK73GB2A621J	CHIP R 620 J 1/10W	
R389-391			RK73GB2A473J	CHIP R 47K J 1/10W		R647			RK73GB2A223J	CHIP R 22K J 1/10W	
R401			RK73FB2B102J	CHIP R 1.0K J 1/8W		R648			RK73GB2A621J	CHIP R 620 J 1/10W	
R402			RK73EB2E470J	CHIP R 47 J 1/4W		R649			RK73EB2E102J	CHIP R 1.0K J 1/4W	
R403,404			RK73EB2E472J	CHIP R 4.7K J 1/4W		R650			RK73EB2E471J	CHIP R 470 J 1/4W	
R405			RK73EB2E4R7J	CHIP R 4.7 J 1/4W		R651,652			RK73GB2A102J	CHIP R 1.0K J 1/10W	
R406			RK73EB2E222J	CHIP R 2.2K J 1/4W		R653			RK73GB2A103J	CHIP R 10K J 1/10W	
R407			RK73EB2E100J	CHIP R 10 J 1/4W		R654			RK73GB2A152J	CHIP R 1.5K J 1/10W	
R408			RK73EB2E102J	CHIP R 1.0K J 1/4W		R655			RK73GB2A103J	CHIP R 10K J 1/10W	
R409			RK73EB2E222J	CHIP R 2.2K J 1/4W		R660			RK73GB2A471J	CHIP R 470 J 1/10W	
R410			RK73EB2E470J	CHIP R 47 J 1/4W		R661			RK73GB2A274J	CHIP R 270K J 1/10W	
R411			RK73EB2E100J	CHIP R 10 J 1/4W		R670,671			RK73FB2B1R0J	CHIP R 1.0 J 1/8W	
R412			RK73EB2E470J	CHIP R 47 J 1/4W		R672			RK73EB2E102J	CHIP R 1.0K J 1/4W	
R503			RK73GB2A473J	CHIP R 47K J 1/10W		R673			RK73EB2E751J	CHIP R 750 J 1/4W	
R504			R92-1252-05	CHIP R 0 OHM J 1/16W		R674			RK73FB2B473J	CHIP R 47K J 1/8W	
R506			RK73GB2A333J	CHIP R 33K J 1/10W		R675			RK73FB2B104J	CHIP R 100K J 1/8W	
R508			RK73GB2A392J	CHIP R 3.9K J 1/10W		R676			RK73EB2E220J	CHIP R 22 J 1/4W	
R509			RK73GB2A432J	CHIP R 4.3K J 1/10W		R701,702			RK73GB2A471J	CHIP R 470 J 1/10W	

M : Other Areas

△ Indicates safety critical components.

## PARTS LIST

### MAIN PWB UNIT

Ref. No.	Add	New	Parts No.	Description	Destination
R703,704			RK73GB2A473J	CHIP R 47K J 1/10W	
R705,706			RK73GB2A104J	CHIP R 100K J 1/10W	
R707			RK73EB2E100J	CHIP R 10 J 1/4W	
R708			RK73EB2E4R7J	CHIP R 4.7 J 1/4W	
R709			RK73EB2E100J	CHIP R 10 J 1/4W	
R710			RK73FB2B102J	CHIP R 1.0K J 1/8W	
R711			RK73GB2A471J	CHIP R 470 J 1/10W	
R712			RK73GB2A473J	CHIP R 47K J 1/10W	
R751			RK73GB2A473J	CHIP R 47K J 1/10W	
R752			RK73GB2A104J	CHIP R 100K J 1/10W	
RN1			R90-0720-05	MULTI-COMP 100K X4	
RN2			R90-0725-05	MULTI-COMP 1K X2	
RN4			R90-0725-05	MULTI-COMP 1K X2	
RN5			R90-0724-05	MULTI-COMP 1K X4	
RN6			R90-0725-05	MULTI-COMP 1K X2	
RN7			R90-0714-05	MULTI-COMP 10K X4	
RN8-10			R90-0724-05	MULTI-COMP 1K X4	
RN11			R90-1042-08	MULTI-COMP 4.7K X4	
SW1			S74-0809-05	MICRO SWITCH	
D1			1SS400	DIODE	
D201			1SR139-400	DIODE	
D202		*	MAZ80390LL	ZENER DIODE	
D302			1SS400	DIODE	
D321			DA204U	DIODE	
D322			DAN202U	DIODE	
D401			HZM6.2ZWA	DIODE	
D402			MTZJ6.8B	ZENER DIODE	
D403-406			HZM6.2ZWA	DIODE	
D501-508			1SR154-400	DIODE	
D509			1SS400	DIODE	
D510			DAP202U	DIODE	
D551,552			DAP202U	DIODE	
D553-558			HZM6.2ZWA	DIODE	
D559			DAP202U	DIODE	
D601			RM10Z	DIODE	
D610			1SR154-400	DIODE	
D611			1SS400	DIODE	
D612			1SR154-400	DIODE	
D613			1SS400	DIODE	
D615,616			1SR154-400	DIODE	
D617,618			UDZS5.6B	ZENER DIODE	
D619-621			UDZS6.8B	ZENER DIODE	
D640			SB040	DIODE	
D641		*	MAZ80910LL	ZENER DIODE	
D642			UDZS8.2B	ZENER DIODE	
D643,644			UDZS5.6B	ZENER DIODE	
D645		*	MAZ82200LL	ZENER DIODE	
D660			UDZS12B	ZENER DIODE	
D670			UDZS12B	ZENER DIODE	
D671		*	PTZ5.1AL	ZENER DIODE	
D701		*	HZM6.8MWAL	ZENER DIODE	
D702			MTZJ6.8B	ZENER DIODE	
DSP101			DSP-201M-S00B	SURGE ABSORBER	
IC1		*	MN101C49HNH	MICROCONTROLLER IC	

Ref. No.	Add	New	Parts No.	Description	Destination
IC2			HD74HC27FP-E	MOS-IC	
IC3		*	S-80840CNNB	MOS-IC	
IC4			BR24C01AF	ROM IC	
IC151			LC72135M	MOS-IC	
IC201			BA6219BFP-Y	ANALOGUE IC	
IC301			E-TDA7414	ANALOGUE IC	
IC303			NJM2195FJ1	ANALOGUE IC	
IC304			TC7W66FK-F	MOS-IC	
IC305			NJM4565MD-ZB	ANALOGUE IC	
IC306			BA3131FS	ANALOGUE IC	
IC501			E-TDA7560A	ANALOGUE IC	
Q1			DTA144EUA	DIGITAL TRANSISTOR	
Q101			DTB123YK	DIGITAL TRANSISTOR	
Q102			DTC124EUA	DIGITAL TRANSISTOR	
Q151			2SK536	FET	
Q304			DTC144EUA	DIGITAL TRANSISTOR	
Q321			DTC343TK	DIGITAL TRANSISTOR	
Q322			2SC4081	TRANSISTOR	
Q323			DTC124EUA	DIGITAL TRANSISTOR	
Q551-554			DTC143TUA	DIGITAL TRANSISTOR	
Q555,556			DTA124EUA	DIGITAL TRANSISTOR	
Q610,611			2SB1240	TRANSISTOR	
Q612			DTA123JK	DIGITAL TRANSISTOR	
Q613			DTC144EUA	DIGITAL TRANSISTOR	
Q614			2SC4081	TRANSISTOR	
Q615			2SA1576A	TRANSISTOR	
Q616			DTC114YUA	DIGITAL TRANSISTOR	
Q617			2SC4081	TRANSISTOR	
Q618			2SA1576A	TRANSISTOR	
Q619			DTA114EUA	DIGITAL TRANSISTOR	
Q620			DTC114YUA	DIGITAL TRANSISTOR	
Q621			2SC4081	TRANSISTOR	
Q640-643			2SB1548(P)	TRANSISTOR	
Q644,645			2SA1703(R,S,T)	TRANSISTOR	
Q646			IMD3AL	TRANSISTOR	
Q647-649			2SC4081	TRANSISTOR	
Q650			2SB1184	TRANSISTOR	
Q651			DTB123YK	DIGITAL TRANSISTOR	
Q652			IMD3AL	TRANSISTOR	
Q653			DTC124EUA	DIGITAL TRANSISTOR	
Q654,655			2SC4081	TRANSISTOR	
Q656			DTC114YUA	DIGITAL TRANSISTOR	
Q660			IMD2A	TRANSISTOR	
Q661			2SB1184	TRANSISTOR	
Q662			2SC4081	TRANSISTOR	
Q670			FMC3A	TRANSISTOR	
Q671			2SD1819A	TRANSISTOR	
Q672			2SB1548(P)	TRANSISTOR	
TH501			TH470	POSITIVE RESISTOR	
DC601		*	W02-5020-08	ELECTRIC CIRCUIT MODULE (DC/DC)	
TU101		*	W02-5019-08	TUNER ASSY	
<b>COMBI PWB UNIT (CONTROL, SUB)</b>					
D917-927		*	B30-1715-08	LED	
D929-933		*	B30-1715-08	LED	

M : Other Areas

△ Indicates safety critical components.

## PARTS LIST

### COMBI PWB UNIT (CONTROL, SUB)

Ref. No.	Add	New	Parts No.	Description	Destination	Ref. No.	Add	New	Parts No.	Description	Destination
D935,936		*	B30-1718-08	LED		R932-936			RK73EB2E101J	CHIP R 100 J 1/4W	
D937		*	B30-1715-08	LED		R937			RK73GB2A102J	CHIP R 1.0K J 1/10W	
D938,939			B30-1669-05	LED		R938,939			RK73GB2A472J	CHIP R 4.7K J 1/10W	
D940,941		*	B30-1719-08	LED		R941			RK73GB2A101J	CHIP R 100 J 1/10W	
D951,952		*	B30-1715-08	LED		R943			RK73GB2A102J	CHIP R 1.0K J 1/10W	
D953		*	B30-1717-08	LED		R944			RK73GB2A101J	CHIP R 100 J 1/10W	
D954,955		*	B30-1715-08	LED		R945,946			RK73GB2A104J	CHIP R 100K J 1/10W	
C901,902			CK73EB1E474K	CHIP C 0.47UF K		R947			RK73GB2A153J	CHIP R 15K J 1/10W	
C903			CK73FB1C105K	CHIP C 1.0UF K		R949			RK73GB2A102J	CHIP R 1.0K J 1/10W	
C907			CK73GB1H103K	CHIP C 0.010UF K		R950			RK73FB2B220J	CHIP R 22 J 1/8W	
C908			CK73FB1C105K	CHIP C 1.0UF K		R951			RK73EB2E220J	CHIP R 22 J 1/4W	
C909			CK73GB1H103K	CHIP C 0.010UF K		R952			RK73GB2A473J	CHIP R 47K J 1/10W	
C910			CK73GB1H104K	CHIP C 0.10UF K		R953,954			RK73GB2A274J	CHIP R 270K J 1/10W	
C911		*	C93-1376-08	CERAMIC 4.7UF Z		R955			RK73GB2A124J	CHIP R 120K J 1/10W	
C912			CK73EB0J106K	CHIP C 10UF K		R956			RK73GB2A473J	CHIP R 47K J 1/10W	
C915			CK73GB1H332K	CHIP C 3300PF K		R957			RK73GB2A392J	CHIP R 3.9K J 1/10W	
C916			CK73EB0J106K	CHIP C 10UF K		R958,959			RK73GB2A472J	CHIP R 4.7K J 1/10W	
C918,919			CK73EB0J106K	CHIP C 10UF K		R960			RK73FB2B100J	CHIP R 10 J 1/8W	
C924		*	C93-1376-08	CERAMIC 4.7UF Z		R961			RK73GB2A103J	CHIP R 10K J 1/10W	
CN901		*	E41-2273-08	FLAT CABLE CONNECTOR		R964			R92-1252-05	CHIP R 0 OHM J 1/16W	
CN902		*	E41-2272-08	FLAT CABLE CONNECTOR		R965			RK73GB2A473J	CHIP R 47K J 1/10W	
D934			E40-9339-05	FLAT CABLE CONNECTOR		R966			RK73GB2A224J	CHIP R 220K J 1/10W	
285	-	*	F09-1917-08	SHEET (ADHESIVE TAPE FOR VFD)		R990			RK73FB2B511J	CHIP R 510 J 1/8W	
286	-	*	F09-1918-08	SHEET (ADHESIVE TAPE FOR HOLDER)		R991			RK73EB2E821J	CHIP R 820 J 1/4W	
287	2H	*	J19-7042-08	HOLDER		R992			RK73FB2B271J	CHIP R 270 J 1/8W	
L901-903			L92-0332-05	CHIP FERRITE		RN901			R90-0724-05	MULTI-COMP 1K X4	
L904		*	L33-2239-08	SMALL FIXED INDUCTOR		RN902			R90-0725-05	MULTI-COMP 1K X2	
L906			L92-0332-05	CHIP FERRITE		RN903			R90-0748-05	MULTI-COMP 47K X4	
X901		*	L78-1203-08	RESONATOR		RN904			R90-0723-05	MULTI-COMP 47K X2	
R901-903			RK73FB2B511J	CHIP R 510 J 1/8W		RN905			R90-0724-05	MULTI-COMP 1K X4	
R904			RK73FB2B681J	CHIP R 680 J 1/8W		RN906			R90-0737-05	MULTI-COMP 100K X2	
R905			RK73GB2A473J	CHIP R 47K J 1/10W		RN907,908			R90-1014-05	MULTI-COMP 100 X4	
R906			RK73FB2B511J	CHIP R 510 J 1/8W		S901-910			S70-0915-08	TACT SWITCH	
R907,908			RK73GB2A101J	CHIP R 100 J 1/10W		S911			S70-0864-05	TACT SWITCH	
R909			RK73FB2B511J	CHIP R 510 J 1/8W		S912-918			S70-0915-08	TACT SWITCH	
R910			RK73GB2A101J	CHIP R 100 J 1/10W		S919			S70-0864-05	TACT SWITCH	
R911			RK73GB2A473J	CHIP R 47K J 1/10W		S951			S70-0915-08	TACT SWITCH	
R912			RK73FB2B391J	CHIP R 390 J 1/8W		S920	*		T99-0459-08	ROTARY ENCODER	
R913			RK73GB2A222J	CHIP R 2.2K J 1/10W		D901			02CZ6.8-Y	ZENER DIODE	
R914			RK73EB2E821J	CHIP R 820 J 1/4W		D902			UDZS6.8B	ZENER DIODE	
R915,916			RK73GB2A103J	CHIP R 10K J 1/10W		D903			MA8068-M	ZENER DIODE	
R917			RK73FB2B301J	CHIP R 300 J 1/8W		D909			HZM6.8FA	ZENER DIODE	
R918			RK73EB2E220J	CHIP R 22 J 1/4W		D910-913			1SS400	DIODE	
R920			RK73FB2B301J	CHIP R 300 J 1/8W		D914			DA204K	DIODE	
R921			RK73EB2E203J	CHIP R 20K J 1/4W		D915,916			1SS400	DIODE	
R923			RK73EB2E203J	CHIP R 20K J 1/4W		DC901	*		CN2108M	FLUORESCENT INDICATOR TUBE	
R924,925			RK73GB2A473J	CHIP R 47K J 1/10W		IC901	*		MN101C62DKA	MICROCONTROLLER IC	
R926			RK73GB2A223J	CHIP R 22K J 1/10W		IC902	*		BA3830F	ANALOGUE IC	
R927,928			RK73EB2E101J	CHIP R 100 J 1/4W		IC904	*		W02-5021-08	OPTIC RECEIVING MODULE	
R929			RK73GB2A472J	CHIP R 4.7K J 1/10W		Q901			2SC4667	TRANSISTOR	
R930			RK73EB2E101J	CHIP R 100 J 1/4W		Q902			DTA114YUA	DIGITAL TRANSISTOR	
R931			RK73GB2A472J	CHIP R 4.7K J 1/10W		Q903			DTC114YUA	DIGITAL TRANSISTOR	
						Q904			DTC143ZUA	DIGITAL TRANSISTOR	

M : Other Areas

△ Indicates safety critical components.

## PARTS LIST

### COMBI PWB UNIT (CONTROL, SUB)

Ref. No.	Add	New	Parts No.	Description	Destination
Q905			2SB1260	TRANSISTOR	
Q906			2SC4209-Y	TRANSISTOR	
Q907			DTC144EUA	DIGITAL TRANSISTOR	
Q908			DTA114YUA	DIGITAL TRANSISTOR	
Q909			DTC114YUA	DIGITAL TRANSISTOR	
Q951			DTC114YUA	DIGITAL TRANSISTOR	
<b>EQ PWB UNIT</b>					
C250A			CC73GCH1H471J	CHIP C 470PF J	
C250B			CC73GCH1H471J	CHIP C 470PF J	
C252A			CC73GCH1H471J	CHIP C 470PF J	
C252B			CC73GCH1H471J	CHIP C 470PF J	
C254A			CC73GCH1H100D	CHIP C 10PF D	
C254B			CC73GCH1H100D	CHIP C 10PF D	
C255A			CC73GCH1H100D	CHIP C 10PF D	
C255B			CC73GCH1H100D	CHIP C 10PF D	
C256A			CK73GB1H103K	CHIP C 0.010UF K	
C256B			CK73GB1H103K	CHIP C 0.010UF K	
C257			CD04AT1C220M	ELECTRO 22UF 16WV	
C258A			CK73GB1H102K	CHIP C 1000PF K	
C258B			CK73GB1H102K	CHIP C 1000PF K	
C259A			CD04AT1H0R1M	ELECTRO 0.1UF 50WV	
C259B			CD04AT1H0R1M	ELECTRO 0.1UF 50WV	
C260			CD04AT1C220M	ELECTRO 22UF 16WV	
C261A			CK73GB1H104K	CHIP C 0.10UF K	
C261B			CK73GB1H104K	CHIP C 0.10UF K	
C262A		*	CD04AX1V2R2M	ELECTRO 2.2UF 35WV	
C262B		*	CD04AX1V2R2M	ELECTRO 2.2UF 35WV	
C263			C93-1366-08	CERAMIC 0.47UF K	
C264			CK73GB1H472K	CHIP C 4700PF K	
C265			CK73GB1H104K	CHIP C 0.10UF K	
C266			C93-1365-08	CERAMIC 2.2UF Z	
CN250			E41-2135-08	FLAT CABLE CONNECTOR	
CN251		*	E41-2275-08	FLAT CABLE CONNECTOR	
R250A			RK73GB2A104J	CHIP R 100K J 1/10W	
R250B			RK73GB2A104J	CHIP R 100K J 1/10W	
R251A			RK73GB2A104J	CHIP R 100K J 1/10W	
R251B			RK73GB2A104J	CHIP R 100K J 1/10W	
R252A			RK73GB2A101J	CHIP R 100 J 1/10W	
R252B			RK73GB2A101J	CHIP R 100 J 1/10W	
R253A			RK73GB2A101J	CHIP R 100 J 1/10W	
R253B			RK73GB2A101J	CHIP R 100 J 1/10W	
R254A			RK73GB2A181J	CHIP R 180 J 1/10W	
R254B			RK73GB2A181J	CHIP R 180 J 1/10W	
R255A			RK73GB2A101J	CHIP R 100 J 1/10W	
R255B			RK73GB2A101J	CHIP R 100 J 1/10W	
R256			RK73GB2A223J	CHIP R 22K J 1/10W	
R257			RK73GB2A100J	CHIP R 10 J 1/10W	
R258			RK73GB2A392J	CHIP R 3.9K J 1/10W	
R259			RK73GB2A513J	CHIP R 51K J 1/10W	
R260			RK73GB2A224J	CHIP R 220K J 1/10W	
R261			R92-1252-05	CHIP R 0 OHM J 1/16W	
R262			RK73GB2A223J	CHIP R 22K J 1/10W	
VR250A			R31-0239-08	VARIABLE RESISTOR	

Ref. No.	Add	New	Parts No.	Description	Destination
VR250B			R31-0239-08	VARIABLE RESISTOR	
IC250			CXA2560Q	ANALOGUE IC	
<b>CD PLAYER UNIT (X32-5500-01)</b>					
C1,2			CK73GB1H222K	CHIP C 2200PF K	
C3,4			CK73GB0J105K	CHIP C 1.0UF K	
C5			CK73GB1C104K	CHIP C 0.10UF K	
C6			CK73GB1H103K	CHIP C 0.010UF K	
C7-9			CK73GB0J105K	CHIP C 1.0UF K	
C10-15			CK73GB1C104K	CHIP C 0.10UF K	
C16			CK73FB0J475K	CHIP C 4.7UF K	
C17			CK73FB0J106M	CHIP C 10UF M	
C18			CK73GB1C104K	CHIP C 0.10UF K	
C19			CK73FB0J475K	CHIP C 4.7UF K	
C20			CK73GB1C104K	CHIP C 0.10UF K	
C21			CK73GB1H102K	CHIP C 1000PF K	
C22,23			CK73GB0J105K	CHIP C 1.0UF K	
C24-27			CK73GB1C104K	CHIP C 0.10UF K	
C28			CK73FB0J106M	CHIP C 10UF M	
C29			CK73GB1C104K	CHIP C 0.10UF K	
C30			CK73GB1H152K	CHIP C 1500PF K	
C31			CC73GCH1H470J	CHIP C 47PF J	
C32,33			CK73GB1C104K	CHIP C 0.10UF K	
C34			CC73GCH1H560J	CHIP C 56PF J	
C35,36			CK73GB1C104K	CHIP C 0.10UF K	
C37			CK73GB1H102K	CHIP C 1000PF K	
C38			CK73GB1H682K	CHIP C 6800PF K	
C39			CK73GB1C104K	CHIP C 0.10UF K	
C41			CK73GB1A334K	CHIP C 0.33UF K	
C42-45			CK73GB1C104K	CHIP C 0.10UF K	
C46			CK73GB1H682K	CHIP C 6800PF K	
C47			CK73GB1C104K	CHIP C 0.10UF K	
C48			CC73GCH1H040C	CHIP C 4.0PF C	
C49			CK73GB1H332K	CHIP C 3300PF K	
C50			CK73GB1C104K	CHIP C 0.10UF K	
C51			CC73GCH1H330J	CHIP C 33PF J	
C52			CK73FB1A225K	CHIP C 2.2UF K	
C53			CK73GB0J105K	CHIP C 1.0UF K	
C54,55			CK73GB1H103K	CHIP C 0.010UF K	
C56,57			CK73GB1H331K	CHIP C 330PF K	
C58			CK73GB1H472K	CHIP C 4700PF K	
C59-63			CK73GB1H152K	CHIP C 1500PF K	
C64			CK73GB1C104K	CHIP C 0.10UF K	
C66			CC73GCH1H120J	CHIP C 12PF J	
C67			CC73GCH1H180J	CHIP C 18PF J	
C68			CK73GB1H103K	CHIP C 0.010UF K	
C69			CK73FB1A225K	CHIP C 2.2UF K	
C70			CK73FB1A105K	CHIP C 1.0UF K	
C71			CK73FB0J106M	CHIP C 10UF M	
C72			CK73GB1H102K	CHIP C 1000PF K	
CN1			E41-2083-05	FLAT CABLE CONNECTOR	
CN2			E41-2068-05	FLAT CABLE CONNECTOR	
CN2			E41-2085-15	FLAT CABLE CONNECTOR	

M : Other Areas

△ Indicates safety critical components.

## PARTS LIST

### CD PLAYER UNIT (X32-5500-01)

Ref. No.	Add	New	Parts No.	Description	Destination
L1,2			L92-0386-05	CHIP FERRITE	
X1			L77-2808-05	CRYSTAL RESONATOR (16.897849MHZ)	
X2			L78-0896-05	RESONATOR (16.00MHZ)	
CP1			RK74GA1J104J	CHIP-COM 100K J 1/16W	
CP2,3			RK74GA1J101J	CHIP-COM 100 J 1/16W	
CP4			RK74GA1J103J	CHIP-COM 10K J 1/16W	
CP5			RK74GA1J102J	CHIP-COM 1.0K J 1/16W	
CP6			RK74GA1J104J	CHIP-COM 100K J 1/16W	
CP7			RK74GB1J102J	CHIP-COM 1.0K J 1/16W	
CP8			RK74GA1J102J	CHIP-COM 1.0K J 1/16W	
CP9			RK74GB1J101J	CHIP-COM 100 J 1/16W	
CP10			RK74GB1J103J	CHIP-COM 10K J 1/16W	
CP11			RK74GB1J472J	CHIP-COM 4.7K J 1/16W	
CP12			RK74GA1J104J	CHIP-COM 100K J 1/16W	
CP13,14			RK74GB1J104J	CHIP-COM 100K J 1/16W	
CP15			RK74GA1J104J	CHIP-COM 100K J 1/16W	
CP16			RK74GB1J222J	CHIP-COM 2.2K J 1/16W	
R1			RK73GB2A100J	CHIP R 10 J 1/10W	
R2			R92-3494-05	CHIP R 5.6 F 1/2W	
R3,4			RK73FB2B331J	CHIP R 330 J 1/8W	
R5			RK73GB2A101J	CHIP R 100 J 1/10W	
R6			RN73GH1J223D	CHIP R 22K D 1/16W	
R7			RK73GB2A104J	CHIP R 100K J 1/10W	
R8			RN73GH1J393D	CHIP R 39K D 1/16W	
R9			RK73GB2A104J	CHIP R 100K J 1/10W	
R10			RK73GB2A101J	CHIP R 100 J 1/10W	
R11,12			RK73GB2A104J	CHIP R 100K J 1/10W	
R13			RK73GB2A102J	CHIP R 1.0K J 1/10W	
R14-17			RK73GB2A104J	CHIP R 100K J 1/10W	
R18			RK73GB2A101J	CHIP R 100 J 1/10W	
R21-23			RK73GB2A103J	CHIP R 10K J 1/10W	
R24,25			RK73GB2A4R7J	CHIP R 4.7 J 1/10W	
R27			RK73GB2A104J	CHIP R 100K J 1/10W	
R28			RK73GB2A103J	CHIP R 10K J 1/10W	
R29			RK73GB2A102J	CHIP R 1.0K J 1/10W	
R31-33			RK73GB2A104J	CHIP R 100K J 1/10W	
R34			RK73GB2A472J	CHIP R 4.7K J 1/10W	
R35			RK73GB2A104J	CHIP R 100K J 1/10W	
R36			RK73FB2B4R7J	CHIP R 4.7 J 1/8W	
R37			RK73GB2A103J	CHIP R 10K J 1/10W	
R38			RK73GB2A221J	CHIP R 220 J 1/10W	
R39			RK73GB2A152J	CHIP R 1.5K J 1/10W	
R40			RK73GB2A394J	CHIP R 390K J 1/10W	
R42			RK73GB2A101J	CHIP R 100 J 1/10W	
R43			RK73GB2A393J	CHIP R 39K J 1/10W	
R44,45			RK73GB2A302J	CHIP R 3.0K J 1/10W	
R46			RK73GB2A105J	CHIP R 1.0M J 1/10W	
R47			RK73GB2A104J	CHIP R 100K J 1/10W	
R48,49			RK73GB2A331J	CHIP R 330 J 1/10W	
R50			RK73GB2A101J	CHIP R 100 J 1/10W	
R51			RK73GB2A392J	CHIP R 3.9K J 1/10W	
R52			RK73GB2A163J	CHIP R 16K J 1/10W	
R53			RK73GB2A123J	CHIP R 12K J 1/10W	
R54			RK73GB2A333J	CHIP R 33K J 1/10W	

Ref. No.	Add	New	Parts No.	Description	Destination
R55			RK73GB2A103J	CHIP R 10K J 1/10W	
R56			RK73GB2A123J	CHIP R 12K J 1/10W	
R57,58			RK73GB2A133J	CHIP R 13K J 1/10W	
R59			RK73GB2A472J	CHIP R 4.7K J 1/10W	
R60			RK73GB2A123J	CHIP R 12K J 1/10W	
R61			RK73GB2A183J	CHIP R 18K J 1/10W	
R62			RK73GB2A432J	CHIP R 4.3K J 1/10W	
R63			RK73GB2A133J	CHIP R 13K J 1/10W	
R64			RK73GB2A241J	CHIP R 240 J 1/10W	
R65			RK73GB2A104J	CHIP R 100K J 1/10W	
R66			RK73GB2A472J	CHIP R 4.7K J 1/10W	
R67			RK73GB2A222J	CHIP R 2.2K J 1/10W	
R68,69			RK73GB2A104J	CHIP R 100K J 1/10W	
R70			RK73GB2A102J	CHIP R 1.0K J 1/10W	
S1,2			S68-0863-05	PUSH SWITCH	
S3			S68-0862-05	PUSH SWITCH	
S4			S68-0864-05	PUSH SWITCH	
D2			DA204UF	DIODE	
D3			DAN202UF	DIODE	
IC1			91CW12AFG-5AR1	MICROCONTROLLER IC	
IC2			UPD63712GC	MOS-IC	
IC3			TC94A20F-010	MOS-IC	
IC4			BA5824FP-F	ANALOGUE IC	
IC5			NJM2880U133	ANALOGUE IC	
IC5			NJM2880U33	ANALOGUE IC	
IC6			S-1112B33MCG	ANALOGUE IC	
IC6			XC6219B332MR	ANALOGUE IC	
IC7			S-1112B25MCG	ANALOGUE IC	
IC7			XC6219B252MR	ANALOGUE IC	
IC8			TC7SH08FU	MOS-IC	
IC9			TAR5S33-F	ANALOGUE IC	
Q1			2SK3018F	FET	
Q3			UMD9N	TRANSISTOR	
Q4			2SK3018F	FET	
Q5			UMD9N	TRANSISTOR	
Q6			UMD12N	TRANSISTOR	
Q7			DTC124EUAF	DIGITAL TRANSISTOR	
Q8			2SB0970	TRANSISTOR	
Q9,10			DTC114YUAF	DIGITAL TRANSISTOR	
<b>CD MECHANISM ASSY (X92-4850-03)</b>					
2		1B	A10-4827-32	CHASSIS	
5		1B	D10-4576-83	ARM ASSY	
8		2A	D10-4579-23	LEVER ASSY	
10		3A	D10-4581-13	ARM	
11		2A	D10-4582-13	ARM	
12		3A	D10-4583-03	ARM	
13		3A	D10-4584-03	ARM	
14		3B	D10-4585-03	ARM	
15		2A	D10-4586-13	SLIDER	
16		3B	D10-4587-52	SLIDER	
17		3B	D10-4588-13	SLIDER	
18		3B	D10-4595-04	ARM	
19		3B	D10-4596-24	ARM	

M : Other Areas

△ Indicates safety critical components.

# DPX-MP5070

## PARTS LIST

### CD MECHANISM ASSY (X92-4850-03)

Ref. No.	A d d	N e w	Parts No.	Description	Desti- nation
22	2A		D13-2151-04	GEAR	
23	2B		D13-2152-04	GEAR	
24	3B		D13-2153-04	GEAR	
25	3B		D13-2154-04	GEAR	
26	3B		D13-2155-04	WORM	
27	3B		D13-2156-14	GEAR	
28	3B		D13-2157-04	GEAR	
29	3B		D13-2158-04	GEAR	
30	3B		D13-2168-04	GEAR	
31	3B		D13-2171-04	GEAR	
32	2B		D13-2172-13	RACK (GEAR)	
33	2A		D14-0759-04	ROLLER	
35	2B		D21-2382-04	SHAFT	
36	1A		D23-0954-04	RETAINER	
37	1B		D39-0246-05	DAMPER	
38	2B		G01-3072-04	EXTENSION SPRING	
39	2A		G01-3073-04	TORSION COIL SPRING	
40	2A		G01-3074-04	EXTENSION SPRING	
41	1B		G01-3075-14	EXTENSION SPRING	
42	2A		G01-3076-04	EXTENSION SPRING	
43	1B		G01-3077-14	EXTENSION SPRING	
44	2B		G02-1399-04	FLAT SPRING	
45	2B		G02-1408-04	FLAT SPRING	
51	1A		J21-9676-32	MOUNTING HARDWARE	
52	3B		J21-9677-22	MOUNTING HARDWARE	
53	1B		J21-9678-13	MOUNTING HARDWARE	
55	1A		J90-1001-11	GUIDE	
56	1B		J90-1023-03	GUIDE	
DFPC1	3A		J84-0141-05	FLEXIBLE PRINTED WIRING BOARD	
A	2B		N09-4460-05	TAPTITE SCREW (OVAL P TAPTIT)	
B	1B		N09-4472-15	MACHINE SCREW (M1.7X8.0)	
C	2B		N09-6004-05	MACHINE SCREW (M1.7X2.5 IB-L)	
E	2B		N09-6007-05	MACHINE SCREW (PAN M2X2)	
F	1A		N09-6051-05	TAPTITE SCREW (BIND P 2X5)	
G	2A		N19-2163-04	FLAT WASHER	
H	1B		N39-2020-46	PAN HEAD MACHINE SCREW	
J	1B		N09-6108-05	MACHINE SCREW (M2*3.5TYPE3)	
K	3B		N09-6155-05	SEMS (TAPTITE SCREW) (PT2X6)	
DM1	3B		T42-1066-04	DC MOTOR ASSY (SP)	
DM2	2B		T42-1067-04	DC MOTOR ASSY (LO)	
DPU1	2B		X93-2010-00	OPTICAL PICKUP ASSY	
CASSETTE MECHANISM ASSY (D40-2205-08)					
401	2D	*	A10-5231-08	CHASSIS ASSY	
404	3D		D10-4375-08	SLIDER (MAIN PLATE)	
405	3C		D13-1494-08	GEAR (B)	
406	3C		D13-1495-08	GEAR (C)	
407	3C		D13-1496-08	GEAR (D)	
409	1D		D10-4376-08	ARM (P-G PLATE)	
410	2D		J90-0948-08	GUID	
411	2D		D15-0919-08	PULLEY (MID)	
412	2D		D13-1497-08	GEAR (P)	
415	2D		J21-9458-08	MOUNTING HARDWARE (HEAD P-AS)	

Ref. No.	A d d	N e w	Parts No.	Description	Desti- nation
417	2D		G02-1332-08	FLAT SPRING (HEAD SP-P)	
420	2C		D13-1498-08	RACK GEAR (OP PLATE A)	
421	1C		D10-4377-08	LEVER (EJ-LEV-A)	
422	3D		D10-4378-08	LEVER (SB,PL-AS)	
423	2C		D10-4379-08	LEVER (OP-PL-HO)	
424	1C		D10-4380-08	LEVER (EJE-LEV-A)	
425	1C		G01-2960-08	TENSION COIL SPRING (E LEV)	
426	3C		D13-1499-08	GEAR (FR)	
427	3C		D10-4381-08	ARM (FR-PLATE)	
430	2D		D10-4382-08	ARM ASSY (PINCH ROLLER F)	
431	2D		D10-4383-08	ARM ASSY (PINCH ROLLER R)	
445	2C		J11-0632-08	CLAMPER	
448	3D		D01-0613-08	FLYWHEEL ASSY	
449	3D		D16-0616-08	BELT	
452	1D		D10-4385-08	ARM (CASSETTE LIFTER B)	
453	1D		J19-4953-08	CASSETTE HOLDER	
454	1C		G11-1861-08	CUSHION	
456	1D		D10-4386-08	ARM ASSY	
457	1D		G01-2962-08	TENSION COIL SPRING	
458	1D		D10-4387-08	SLIDER	
465	2C		B09-0522-08	REEL CAP	
466	2C		G01-2963-08	COMPRESSION SPRING	
467	2C		D03-0314-08	REEL GEAR ASSY	
475	3C		J69-0510-08	ADHESIVE TAPE (FFC)	
490	3C		J26-4042-08	PC BORD ASSY (WITH FC,MOT LEAD)	
494	3C		T95-0245-08	PHOTO COUPLER	
A	3C		N09-4324-08	SCREW (2X2.5)	
B	2C		N19-2136-08	FLAT WASHER (1.55X35)	
C	2D		N09-4325-08	SCREW (2X13ADS)	
D	2C		N09-4326-08	SCREW (2X3)	
E	2C		N09-4058-08	SEMS (2X3AMS)	
F	2D		N19-2038-08	FLAT WASHER (0.85X2.8)	
G	2D		N19-2136-08	FLAT WASHER (1.55X3)	
H	2D		N19-2137-08	FLAT WASHER (2.1X3.5)	
J	3D		N19-2138-08	FLAT WASHER (2.1X3.5)	
K	3D		N09-4327-08	SCREW	
M	3D		N09-4329-08	SCREW (3X3.5)	
N	1D		N19-2139-08	FLAT WASHER (2.1X4.0)	
CM1	1C		T42-1002-08	MOTOR ASSY (MAIN)	
CM2	1C	*	T42-1316-08	MOTOR ASSY (SUB A)	
HD1	2D	*	T31-0232-08	PLAYBACK HEAD	

M : Other Areas

△ Indicates safety critical components.

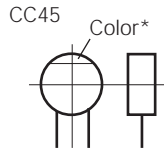


## PARTS LIST

### CAPACITORS

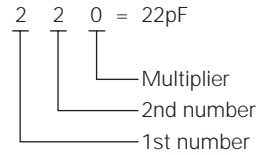
$\frac{C}{1} \frac{C}{2} \frac{45}{3} \frac{TH}{4} \frac{1H}{5} \frac{220}{6} \frac{J}{7}$

- 1 = Type ... ceramic, electrolytic, etc.
- 2 = Shape ... round, square, etc.
- 3 = Temp. coefficient
- 4 = Voltage rating
- 5 = Value
- 6 = Tolerance



#### • Capacitor value

- 010 = 1pF
- 100 = 10pF
- 101 = 100pF
- 102 = 1000pF = 0.001μF
- 103 = 0.01μF



#### • Temperature coefficient

1st Word	C	L	P	R	S	T	U
Color*	Black	Red	Orange	Yellow	Green	Blue	Violet
ppm/°C	0	-80	-150	-220	-330	-470	-750

2nd Word	G	H	J	K	L
ppm/°C	±30	±60	±120	±250	±500

Example : CC45TH = -470±60ppm/°C

#### • Tolerance (More than 10pF)

Code	C	D	G	J	K	M	X	Z	P	No code
(%)	±0.25	±0.5	±2	±5	±10	±20	+40 -20	+80 -20	+100 -0	More than 10μF : -10~+50 Less than 4.7μF : -10~+75

#### (Less than 10pF)

Code	B	C	D	F	G
(pF)	±0.1	±0.25	±0.5	±1	±2

#### • Voltage rating

2nd word \ 1st word	A	B	C	D	E	F	G	H	J	K	V
0	1.0	1.25	1.6	2.0	2.5	3.15	4.0	5.0	6.3	8.0	-
1	10	12.5	16	20	25	31.5	40	50	63	80	35
2	100	125	160	200	250	315	400	500	630	800	-
3	1000	1250	1600	2000	2500	2150	4000	5000	6300	8000	-

### CHIP CAPACITORS

(EX)  $\frac{C}{1} \frac{C}{2} \frac{73}{3} \frac{F}{4} \frac{SL}{5} \frac{1H}{6} \frac{000}{7} \frac{J}{8}$

(Chip) (CH, RH, UJ, SL)

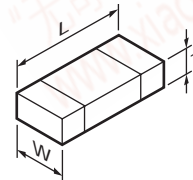
(EX)  $\frac{C}{1} \frac{K}{2} \frac{73}{3} \frac{F}{4} \frac{F}{5} \frac{1H}{6} \frac{000}{7} \frac{Z}{8}$

(Chip) (B, F)

Refer to the table above.

- 1 = Type
- 2 = Shape
- 3 = Dimension
- 4 = Temp. coefficient
- 5 = Voltage rating
- 6 = Value
- 7 = Tolerance

#### • Dimension



#### Chip capacitor

Code	L	W	T
Empty	5.6±0.5	5.0±0.5	Less than 2.0
A	4.5±0.5	3.2±0.4	Less than 2.0
B	4.5±0.5	2.0±0.3	Less than 2.0
C	4.5±0.5	1.25±0.2	Less than 1.25
D	3.2±0.4	2.5±0.3	Less than 1.5
E	3.2±0.2	1.6±0.2	Less than 1.25
F	2.0±0.3	1.25±0.2	Less than 1.25
G	1.6±0.2	0.8±0.2	Less than 1.0
H	1.0±0.05	0.5±0.05	0.5±0.05

#### Chip resistor

Code	L	W	T
E	3.2±0.2	1.6±0.2	1.0
F	2.0±0.3	1.25±0.2	1.0
G	1.6±0.2	0.8±0.2	0.5±0.1
H	1.0±0.05	0.5±0.05	0.35±0.05

### RESISTORS

#### • Chip resistor (Carbon)

(EX)  $\frac{R}{1} \frac{D}{2} \frac{73}{3} \frac{E}{4} \frac{B}{5} \frac{2B}{6} \frac{000}{7} \frac{J}{8}$

(Chip) (B, F)

#### • Carbon resistor (Normal type)

(EX)  $\frac{R}{1} \frac{D}{2} \frac{14}{3} \frac{B}{4} \frac{B}{5} \frac{2C}{6} \frac{000}{7} \frac{J}{8}$

(Chip) (B, F)

- 1 = Type ... ceramic, electrolytic, etc.
- 2 = Shape ... round, square, etc.
- 3 = Dimension
- 4 = Temp. coefficient
- 5 = Voltage rating
- 6 = Value
- 7 = Tolerance

#### • Rating wattage

Code	Wattage	Code	Wattage	Code	Wattage
1J	1/16W	2C	1/6W	3A	1W
2A	1/10W	2E	1/4W	3D	2W
2B	1/8W	2H	1/2W		

# DPX-MP5070

## SPECIFICATIONS

### FM Tuner Section

Frequency Range	
50kHz space	87.5MHz~108.0MHz
200kHz space	87.9MHz~107.9MHz
Usable Sensitivity (S/N 30dB)	9.3dBf (0.8 $\mu$ V/75 $\Omega$ )
Quieting Sensitivity (S/N 50dB)	15.2dBf (1.6 $\mu$ V/75 $\Omega$ )
Frequency Response ( $\pm$ 3.0dB)	30Hz~15kHz
Signal to Noise Ratio	70dB (MONO)
Selectivity	$\geq$ 80dB ( $\pm$ 400kHz)
Stereo Separation	30dB (1kHz)

### AM Tuner Section

Frequency Range	
9kHz space	531kHz~1611kHz
10kHz space	530kHz~1700kHz
Usable Sensitivity (S/N 20dB)	28dB $\mu$ (25 $\mu$ V)

### Cassette Player Section

Tape Speed	4.76cm/sec.
Wow & Flutter (WRMS)	0.1%
Frequency Response (70 $\mu$ s)	40Hz~20kHz ( $\pm$ 3dB)
Separation	35dB (1kHz)
Signal to Noise Ratio	
Dolby NR Off	50dB
Dolby B NR On	60dB

### CD Player Section

Laser Diode	GaAlAs
Digital Filter (D/A)	8 Times OverSampling
D/A Converter	1 Bit
Spindle Speed	500~200rpm (CLV)
Wow & Flutter	Below Mesurable Limit

Frequency Response	10Hz~20kHz ( $\pm$ 1dB)
Total Harmonic Distortion	0.01% (1kHz)
Signal to Noise Ratio	100dB (1kHz)
Dynamic Range	93dB
Channel Separation	85dB
MP3 Decode	Compliant with MPEG-1/2 Audio Layer-3
WMA Decode	Compliant with Windows Media Audio

### Audio Section

Maximum Output Power	50W x 4
Full Bandwidth Power (at less than 1% THD)	22W x 4
Preout Level/Load	1800mV/10k $\Omega$
Preout Impedance	$\leq$ 600 $\Omega$

### Auxiliary Input

Frequency Response ( $\pm$ 1dB)	20Hz~20kHz
Input Maximum Voltage	1200mV
Input Impedance	100k $\Omega$

### General

Operating voltage (11~16V allowable)	14.4V
Current Consumption	10A
Installation Size (W x H x D)	178 x 100 x 155 mm
Weight	2.5kg

KENWOOD follows a policy of continuous advancements in development. For this reason specifications may be changed without notice.

Manufactured under license from Dolby Laboratories.

"Dolby" and the double-D symbol are trademarks of Dolby Laboratories.

## KENWOOD CORPORATION

2967-3, Ishikawa-machi, Hachioji-shi, Tokyo, 192-8525 Japan

KENWOOD USA CORPORATION  
P.O. Box 22745, 2201 East Dominguez Street, Long Beach, CA 90801-5745, U.S.A.

KENWOOD ELECTRONICS CANADA INC.  
6070 Kestrel Road, Mississauga, Ontario, Canada L5T 1S8

KENWOOD ELECTRONICS LATIN AMERICA S.A.  
P.O. Box 55-2791 Paitilla, Plaza Credicorp Bank Panama,  
Piso 9, Oficina 901, Calle 50, Panama, Rep. de Panama

KENWOOD ELECTRONICS BRASIL LTDA.  
Alameda Ministro Rocha Azevedo No. 456,  
Edifício Jaú, 10o Andar, Cerqueira César, Cep 0140-001,  
São Paulo-SP-Brasil

KENWOOD ELECTRONICS UK LIMITED  
Kenwood House, Dwight Road, Watford, Herts, WD18 9EB, United Kingdom

KENWOOD ELECTRONICS DEUTSCHLAND GMBH  
Rembrücker-Str. 15, 63150 Heusenstamm, Germany

KENWOOD ELECTRONICS FRANCE S.A.  
13, Boulevard Ney, 75018 Paris, France

KENWOOD ELECTRONICS BELGIUM N.V.  
Leuvensesteenweg 248 J, 1800 Vilvoorde, Belgium

KENWOOD ELECTRONICS ITALIA S.p.A.  
Via G. Sirtori 7/9, 20129 Milano, Italy

KENWOOD IBÉRICA S.A.  
Bolivia, 239-08020 Barcelona, Spain

KENWOOD ELECTRONICS AUSTRALIA PTY. LTD. (A.C.N. 001 499 074)  
16 Giffnock Avenue, Centrecourt Estate, North Ryde,  
N.S.W. 2113, Australia

KENWOOD ELECTRONICS (HONG KONG) LTD.  
Unit 3712-3724, Level 37, Tower 1, Metroplaza, 223 Hing Fong Road, Kwai Fong, N.T.,  
Hong Kong

KENWOOD ELECTRONICS GULF FZE  
P.O. Box 61318, Jebel Ali, Dubai, U.A.E.

KENWOOD ELECTRONICS (THAILAND) CO., LTD.  
956 Udom Vidhya Building (Olympia) Rama IV Road, Silom, Bangkok 10500 Thailand

KENWOOD ELECTRONICS SINGAPORE PTE. LTD.  
1 Genting Lane, #07-00, Kenwood Building, Singapore, 349544

KENWOOD ELECTRONICS (MALAYSIA) SDN BHD  
#4.01 Level 4, Wisma Academy Lot 4A, Jalan 19/1, 46300 Petaling Jaya, Selangor Darul Ehsan,  
Malaysia